

IT LED



IP20

RoHS compliant

REACH COMPLIANCE

Made in Germany

CE

UK CA

ALU-LINE IT LED - IT LED. ALU-LINE LED 1350lm

Borrow a sample now

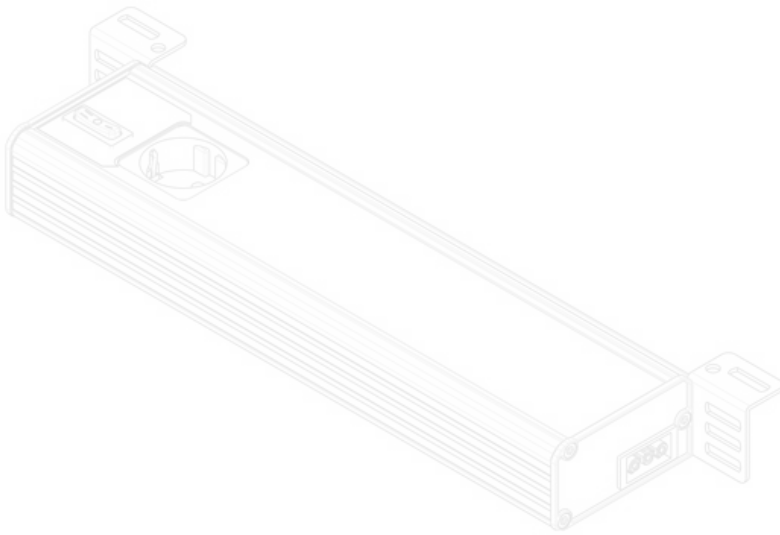


IP (EN 60529)	IP20
	()
	Enclosure: ,
	-20 C° to 50 C°

IT

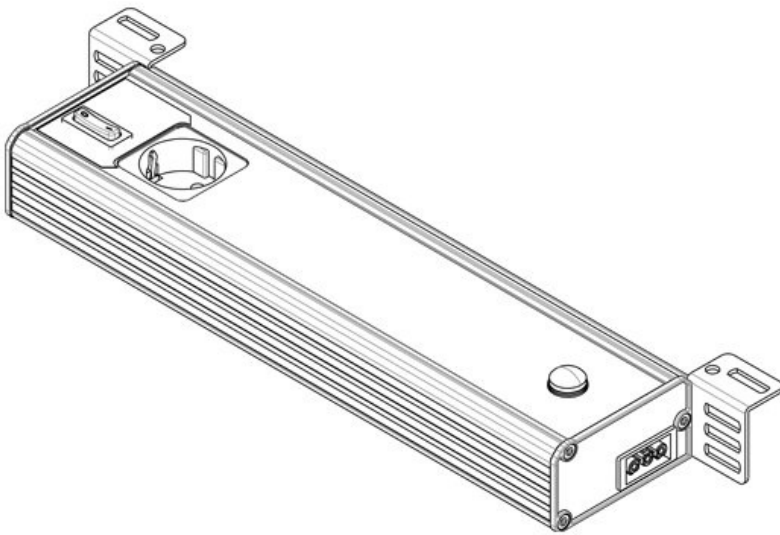
- EU, CH, BE, GB
- 35mm
- 1350lm LED
-
-
-

IT

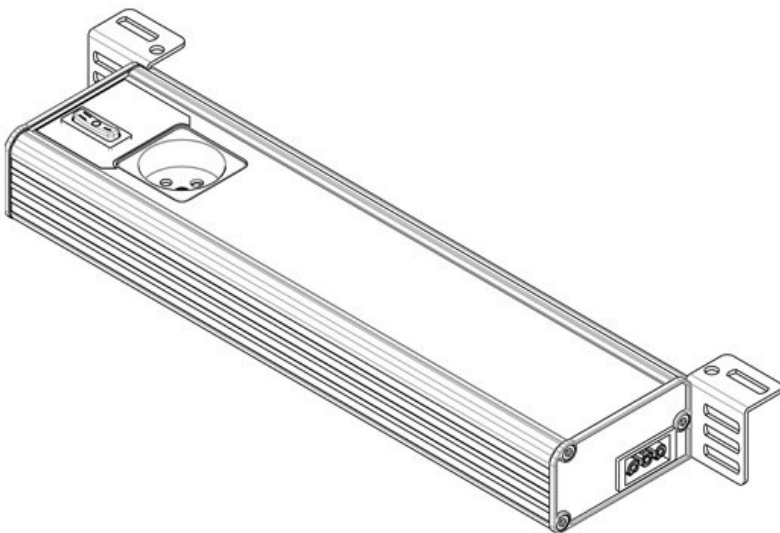


EAN	81300	00 가00	00 00 000, 00 00
	42512693328	000 00	000
	83	000 00	GST 18 00
	1	00 00	12 W
	347,2 mm	00 00	230 V AC
	48 mm		+/-5%, 50 -
	112,6 mm		60 Hz
	00 D/00(00 F, CEE 00		EN 60598, EN
	7/3)		62471, EN
			55015, EN
			61000
		00 00	I(00 00 00)
		가0000	2014/35/EU,
			2014/30/EU
			50.000 h
			F
		000 kWh/1000h	13
			5.600 K
		00 000 000 CRI	>80
			1.350 lm

ALU-LINE | EU (00 000)

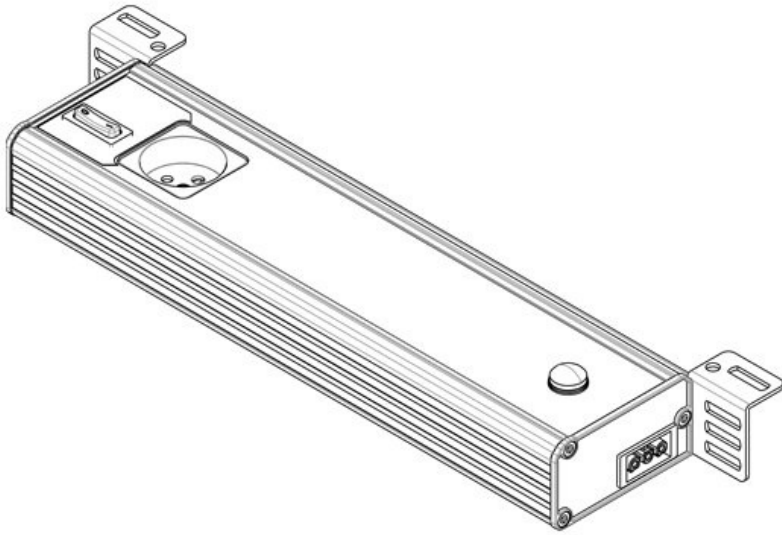


EAN	81304	00 가00	000, 00 0000
	42512693329	000 00	GST 18 00
	20	00 00	12 W
	1	00 00	230 V AC
	347,2 mm		+/-5%, 50 -
	48 mm		60 Hz
	112,6 mm	000 00	EN 60598, EN
	00 D/00(00 F, CEE		62471, EN
	7/3), PIR 00 000		55015, EN
			61000
		00 00	I(00 00 00)
		가0000	2014/35/EU,
			2014/30/EU
			50.000 h
			F
		000 kWh/1000h	13
			5.600 K
		00 000 000 CRI	>80
			1.350 lm



EAN	81301	00 가00	00 00 000, 00 00
	42512693328	000 00	000
	90	000 00	GST 18 00
	1	00 00	12 W
	347,2 mm	00 00	230 V AC
	48 mm		+/-5%, 50 -
	112,6 mm		60 Hz
	00 F/B(00 E,	000 00	EN 60598, EN
	CEE 7/5)		62471, EN
			55015, EN
			61000
		00 00	I(00 00 00)
		가0000	2014/35/EU,
			2014/30/EU
			50.000 h
			F
		000 kWh/1000h	13
			5.600 K
		00 000 000 CRI	>80
			1.350 lm

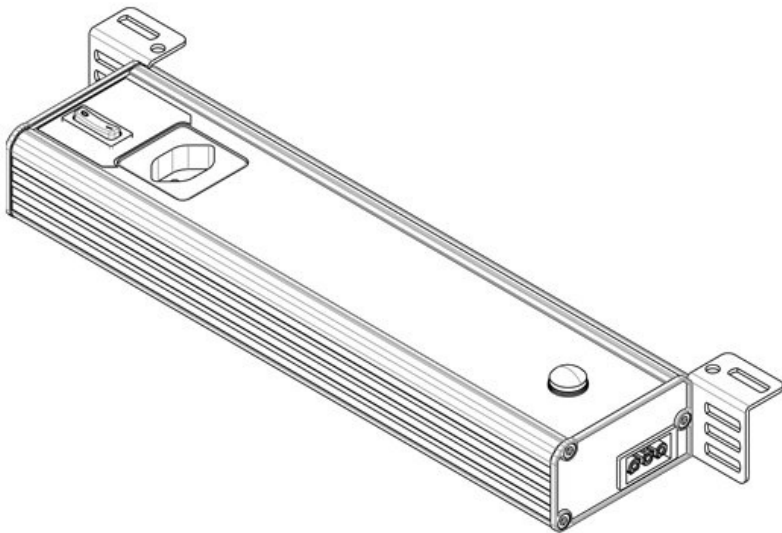
ALU-LINE | BE (00 000)



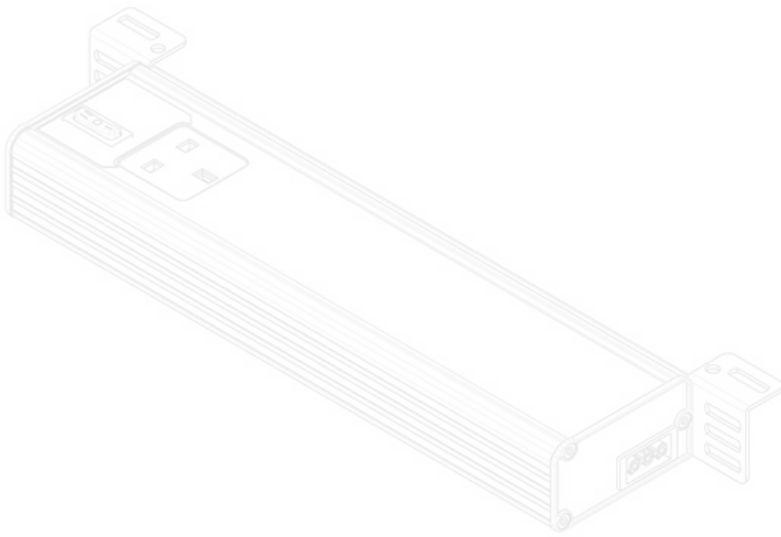
EAN	81305	00 가00	000, 00 0000
	42512693329	0000 00	GST 18 00
	37	00 00	12 W
	1	00 00	230 V AC
	347,2 mm		+/-5%, 50 -
	48 mm		60 Hz
	112,6 mm	0000 00	EN 60598, EN
	PIR 00 000, 00		62471, EN
	F/B(00 E, CEE		55015, EN
	7/5)		61000
		00 00	I(00 00 00)
		가0000	2014/35/EU,
			2014/30/EU
			50.000 h
			F
		000 kWh/1000h	13
			5.600 K
		00 000 000 CRI	>80
			1.350 lm

EAN	81302	00 가00	00 00 000, 00 00
	42512693329	0000 00	000
	06	0000 00	GST 18 00
	1	00 00	12 W
	347,2 mm	00 00	230 V AC
	48 mm		+/-5%, 50 -
	112,6 mm		60 Hz
	00 CH(00J, SEV000 00		EN 60598, EN
	1011)		62471, EN
			55015, EN
			61000
		00 00	I(00 00 00)
		가0000	2014/35/EU,
			2014/30/EU
			50.000 h
			F
		000 kWh/1000h	13
			5.600 K
		00 000 000 CRI	>80
			1.350 lm

ALU-LINE | CH (00 000)

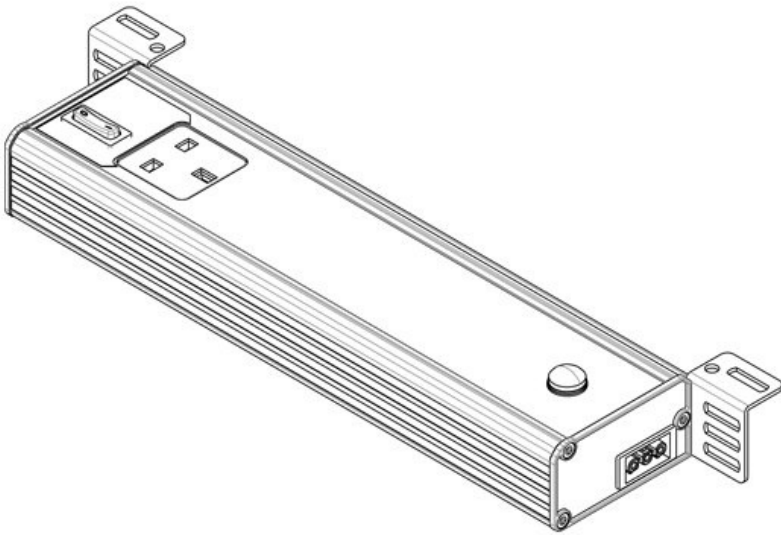


EAN	81306	00 가00	000, 00 0000
	42512693329	0000 00	GST 18 00
	44	00 00	12 W
	1	00 00	230 V AC
	347,2 mm		+/-5%, 50 -
	48 mm		60 Hz
	112,6 mm	0000 00	EN 60598, EN
	PIR 00 000, 00		62471, EN
	CH(00J, SEV		55015, EN
	1011)		61000
		00 00	I(00 00 00)
		가0000	2014/35/EU,
			2014/30/EU
			50.000 h
			F
		000 kWh/1000h	13
			5.600 K
		00 000 000 CRI	>80
			1.350 lm



EAN 81303 가 00 00 000, 00 00
 42512693329 000 00
 13 000 00 GST 18 00
 1 00 00 12 W
 347,2 mm 00 00 230 V AC
 48 mm +/-5%, 50 -
 112,6 mm 60 Hz
 GB(G, BS 00 00 EN 60598, EN
 1363) 62471, EN
 55015, EN
 61000
 00 00 I(00 00 00)
 가 0000 2014/35/EU,
 2014/30/EU
 50.000 h
 F
 kWh/1000h 13
 5.600 K
 00 000 000 CRI >80
 1.350 lm

ALU-LINE | GB (00 000)



EAN 81307 가 000, 00 0000
 42512693329 000 00 GST 18 00
 51 00 00 12 W
 1 00 00 230 V AC
 347,2 mm +/-5%, 50 -
 48 mm 60 Hz
 112,6 mm 000 00 EN 60598, EN
 GB(G, BS EN 62471, EN
 1363), PIR 00 55015, EN
 000 61000
 00 00 I(00 00 00)
 가 0000 2014/35/EU,
 2014/30/EU
 50.000 h
 F
 kWh/1000h 13
 5.600 K
 00 000 000 CRI >80
 1.350 lm

00 000 ALU-LINE, 3000 mm



EAN 81330 000 00 00 PVC
 42512693329
 68
 1
 3.000 mm
 000, GST 18 000
 230 V AC
 ±5%, 50 - 60
 Hz

ALU-LINE, 600 mm



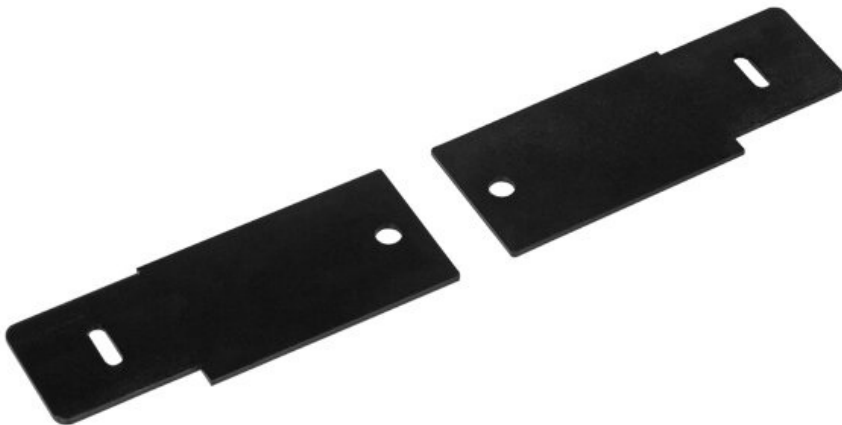
EAN	81331		PVC
	42512693329		
	75		
	1		
	600 mm		
	GST 18		
	GST 18		
	230 V AC		
	±5%, 50 - 60		
	Hz		

ALU-LINE, 1000 mm



EAN	81332		PVC
	42512693329		
	82		
	1		
	1.000 mm		
	GST 18		
	GST 18		
	230 V AC		
	±5%, 50 - 60		
	Hz		

19" ALU-LINE



EAN	81337		7 mm
	2		
	111 mm		
	43,4 mm		
	2		

EAN

91008

□□□ □□

4,2 mm



1
20 mm
5 mm
20 mm
1

□□ □□