

ALLIO

Compact LED lighting for industry and IT applications



With its compact design and 190° rotating tube, the ALLIO system luminaire offers space-saving lighting for enclosures. This also enables easy retrofitting in existing enclosures.

The High Power LED illuminates with 1050 lumens and offers a service life of 50,000 hours. The opal white polycarbonate tube provides a homogeneous, glare-free area light.

A [door operated switch](#) is available as an option.

UL Certificates:

[UL-US-2442933-0 \(USA\)](#)

[UL-CA-2432446-0 \(Canada\)](#)

IP20

UL US

CE

UK
CA

IK07

IK08

RoHS
compliant

REACH
COMPLIANCE

Made in
Germany

Borrow a sample now



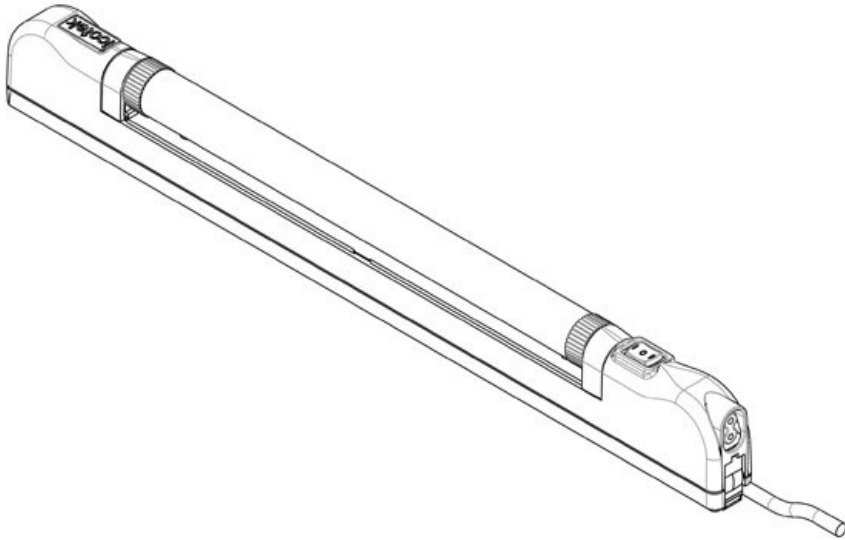
Specifications

IP rating (EN 60529)	IP20
Protection class	II (Protective insulation)
Material	Tube: Polycarbonate Enclosure: Polycarbonate
Flame class	
Operating temperature	-20 C° to 50 C°
Mounting options	Screw type mounting, Magnetic attachment, Clip attachment (patented)

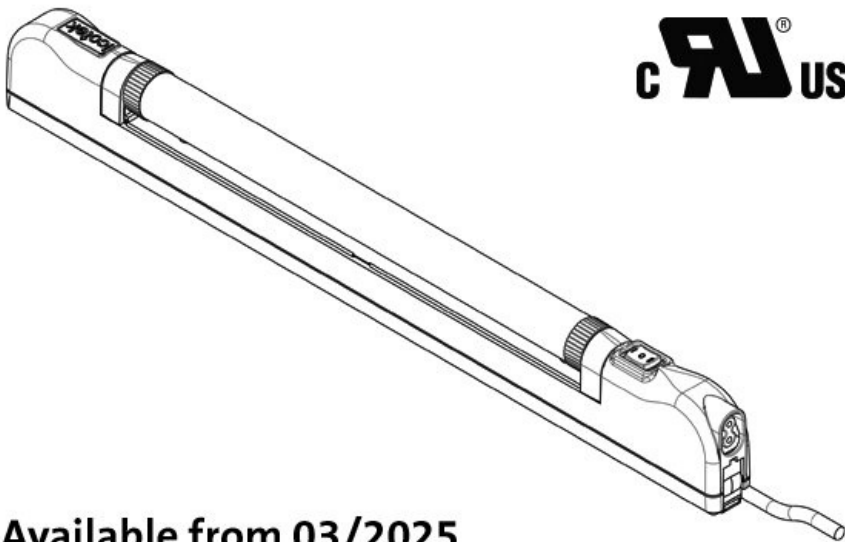
Advantages & benefits

- Compact design with 190° rotating LED tube
- Various mounting types: with magnets, screw assembly or snap-in assembly in the 19" server rack
- Easy retrofitting in existing enclosures
- Effective LED lighting with 1050 lumens
- Available with motion sensor
- Door operated switch available as an option

Product types & sizes

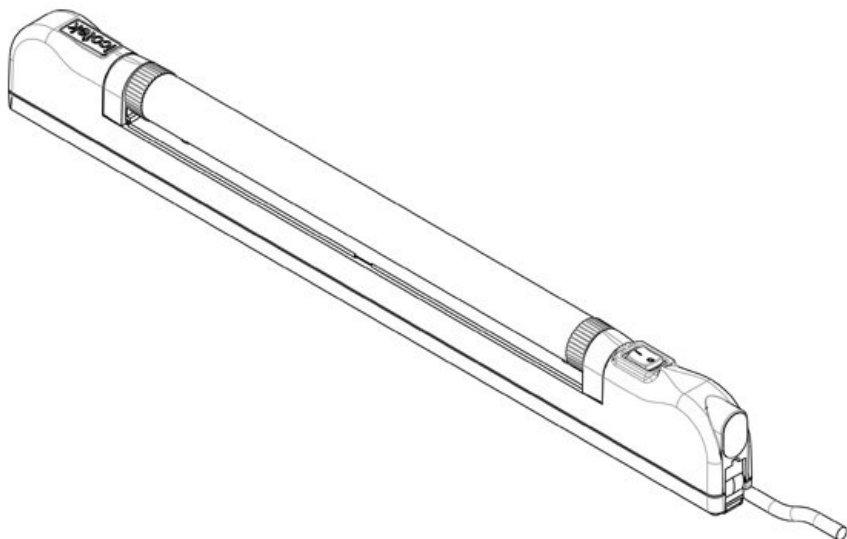
ALLIO 24 V DC

Part No.	81100	Length	3.000 mm
EAN	4251269333019	connecting cable	
Package quantity	1	Version	Standard
UL Certificate	-	Connection possibilities	Door operated switch
Length	448 mm	Connector type	Ferrules
Height	56,5 mm	Rated power	8 W
Width	26,2 mm	Operating voltage	24 V DC
		Test standard	EN 60598, EN 55015, EN 61000, EN 62741
		Guidelines	2014/35/EU, 2014/30/EU
		Service life	50.000 h
		Energy efficiency class	E
		Colour temperature	5.600 K
		Colour rendering index CRI	> 80
		Luminous flux	1.000 lm
		Colour	grey (similar RAL 7035)

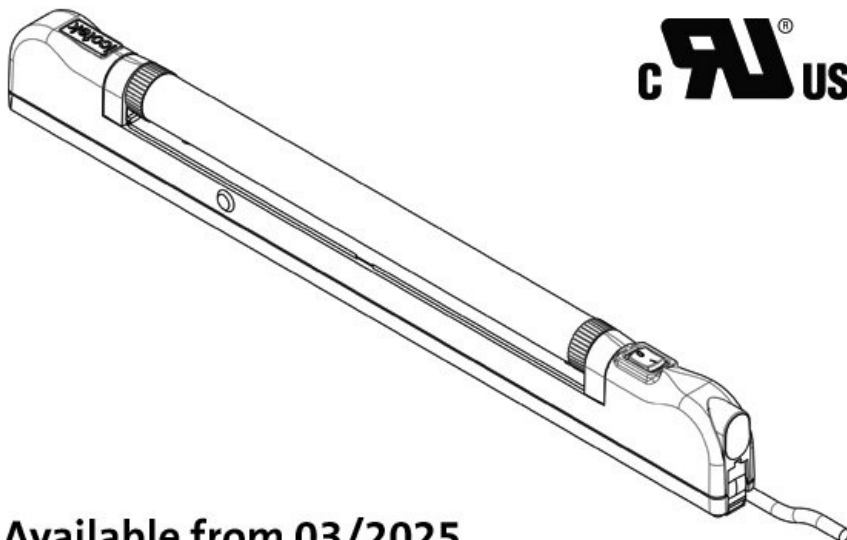
ALLIO 24 V DC UL/CSA

Part No.	81202	Length	3.000 mm
EAN		connecting cable	
Package quantity	1	Version	Standard
UL Certificate	UL-US-2442933-0 / UL-CA-2432446-0	Connection possibilities	Door operated switch
Length	448 mm	Connector type	Ferrules
Height	56,5 mm	Rated power	8 W
Width	26,2 mm	Operating voltage	24 V DC ±5%
		Test standard	EN 60598, EN 55015, EN 61000, EN 62741
		Guidelines	2014/35/EU, 2014/30/EU
		Service life	50.000 h
		Energy efficiency class	E
		Colour temperature	5.600 K
		Colour rendering index CRI	> 80
		Luminous flux	1.000 lm
		Colour	grey (similar RAL 7035)

Available from 03/2025

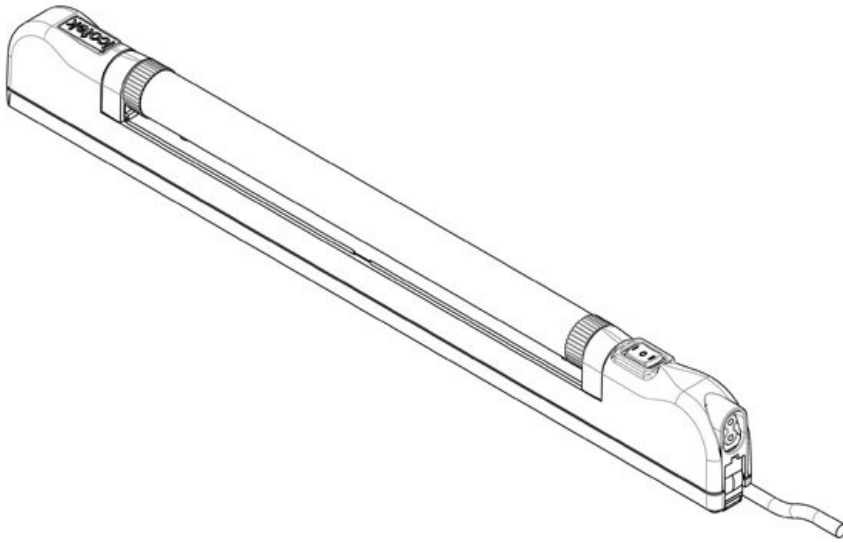


Part No.	81101	Length	3.000 mm
EAN	4251269333026	connecting cable	
Package quantity	1	Version	PIR motion detector Ferrules
UL Certificate	-	Connector type	
Length	448 mm	Rated power	8 W
Height	56,5 mm	Operating voltage	24 V DC
Width	26,2 mm	Test standard	EN 60598, EN 55015, EN 61000, EN 62741
		Guidelines	2014/35/EU, 2014/30/EU
		Service life	50.000 h
		Energy efficiency class	E
		Colour temperature	5.600 K
		Colour rendering index CRI	> 80
		Luminous flux	1.000 lm
		Colour	grey (similar RAL 7035)

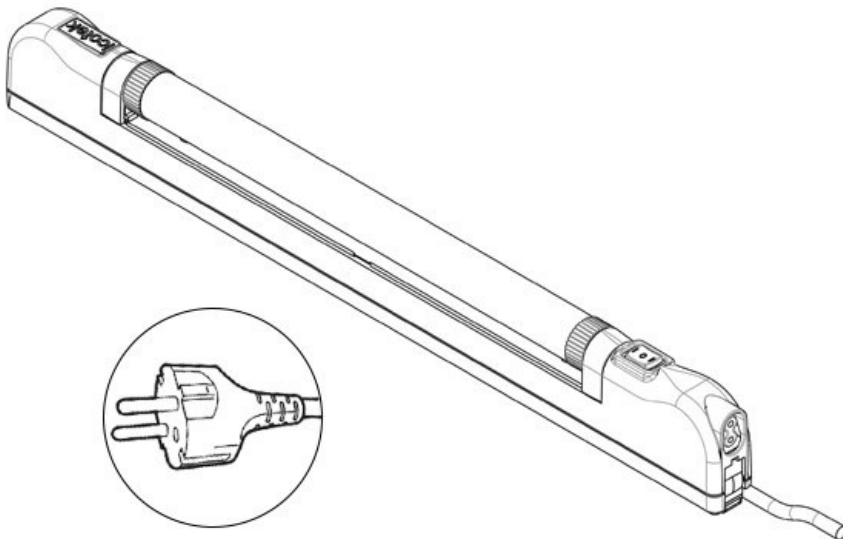


Part No.	81203	Length	3.000 mm
EAN		connecting cable	
Package quantity	1	Version	PIR motion detector Ferrules
UL Certificate	UL-US-2442933-0 / UL-CA-2432446-0	Connector type	
Length	448 mm	Rated power	8 W
Height	56,5 mm	Operating voltage	24 V DC ±5%
Width	26,2 mm	Test standard	EN 60598, EN 55015, EN 61000, EN 62741
		Guidelines	2014/35/EU, 2014/30/EU
		Service life	50.000 h
		Energy efficiency class	E
		Colour temperature	5.600 K
		Colour rendering index CRI	> 80
		Luminous flux	1.000 lm
		Colour	grey (similar RAL 7035)

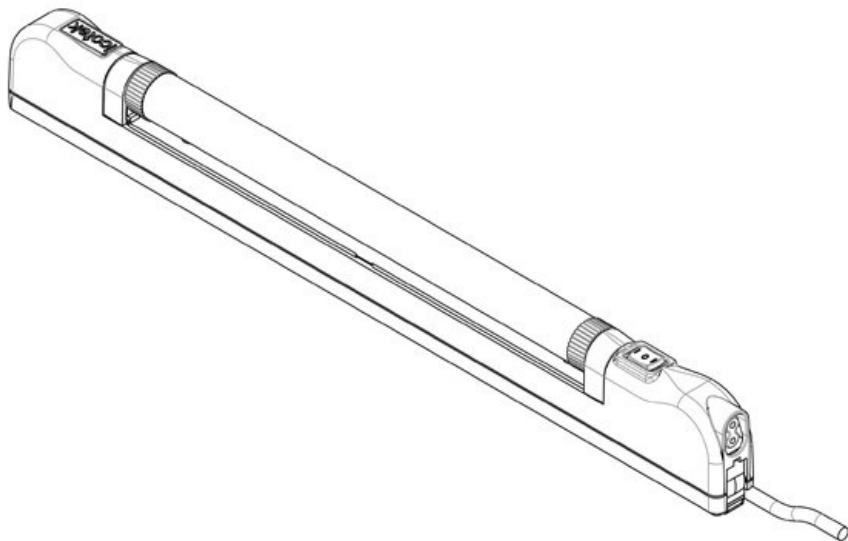
Available from 03/2025



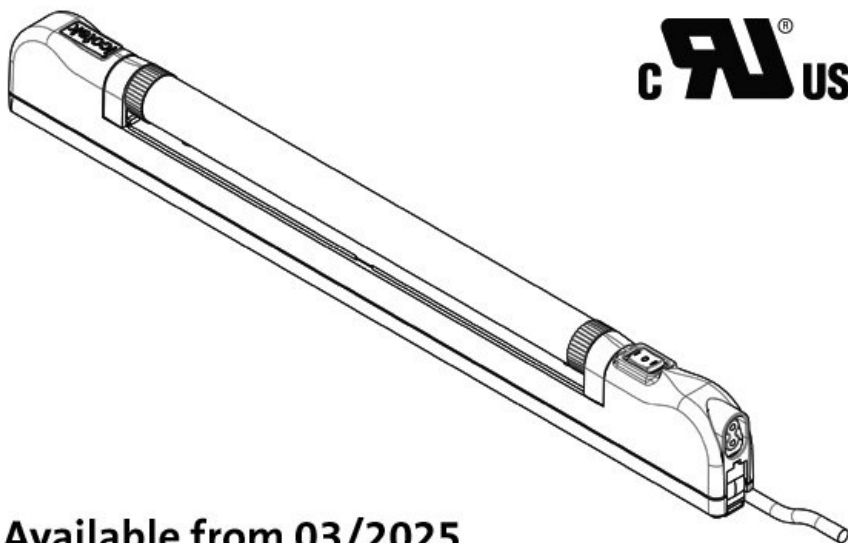
Part No.	81102	Length	3.000 mm
EAN	4251269333	connecting cable	
	033	Version	Standard
Package quantity	1	Connection possibilities	Door operated switch
UL Certificate	-	Connector type	Ferrules
Length	448 mm	Rated power	8 W
Height	56,5 mm	Operating voltage	220 - 240 V AC, 50 - 60 Hz
Width	26,2 mm	Test standard	EN 60598, EN 55015, EN 61000, EN 62741
		Guidelines	2014/35/EU, 2014/30/EU
		Service life	50.000 h
		Energy efficiency class	E
		Colour temperature	5.600 K
		Colour rendering index CRI	> 80
		Luminous flux	1.000 lm
		Colour	grey (similar RAL 7035)



Part No.	81103	Length	1.500 mm
EAN	4251269333	connecting cable	
	040	Version	Standard
Package quantity	1	Connection possibilities	Door operated switch
UL Certificate	-	Connector type	Plug CEE
Length	448 mm	Rated power	8 W
Height	56,5 mm	Operating voltage	220 - 240 V AC, 50 - 60 Hz
Width	26,2 mm	Test standard	EN 60598, EN 55015, EN 61000, EN 62741
		Guidelines	2014/35/EU, 2014/30/EU
		Service life	50.000 h
		Energy efficiency class	E
		Colour temperature	5.600 K
		Colour rendering index CRI	> 80
		Luminous flux	1.000 lm
		Colour	grey (similar RAL 7035)

ALLIO 100-240 V AC

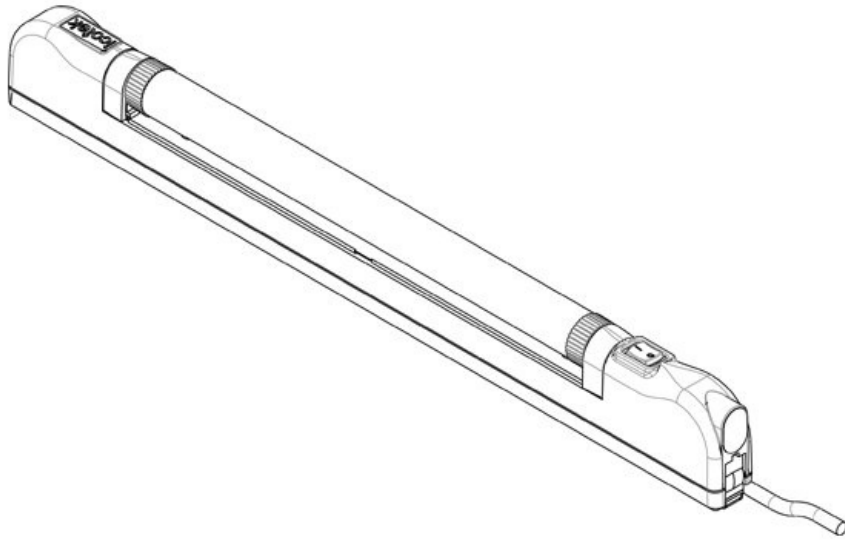
Part No.	81104	Length	3.000 mm
EAN	4251269333057	connecting cable	
Package quantity	1	Version	Standard
UL Certificate	-	Connection possibilities	Door operated switch
Length	448 mm	Connector type	Ferrules
Height	56,5 mm	Rated power	8 W
Width	26,2 mm	Operating voltage	100 - 240 V AC, 50 - 60 Hz
		Test standard	EN 60598, EN 55015, EN 61000, EN 62741
		Guidelines	2014/35/EU, 2014/30/EU
		Service life	50.000 h
		Energy efficiency class	E
		Colour temperature	5.600 K
		Colour rendering index CRI	> 80
		Luminous flux	1.000 lm
		Colour	grey (similar RAL 7035)

ALLIO 100-240 V AC UL/CSA

Part No.	81200	Length	3.000 mm
EAN		connecting cable	
Package quantity	1	Version	Standard
UL Certificate	UL-US-2442933-0 / UL-CA-2432446-0	Connection possibilities	Door operated switch
Length	448 mm	Connector type	Ferrules
Height	56,5 mm	Rated power	8 W
Width	26,2 mm	Operating voltage	100 - 240 V AC, 50 - 60 Hz
		Test standard	EN 60598, EN 55015, EN 61000, EN 62741
		Guidelines	2014/35/EU, 2014/30/EU
		Service life	50.000 h
		Energy efficiency class	E
		Colour temperature	5.600 K
		Colour rendering index CRI	> 80
		Luminous flux	1.000 lm
		Colour	grey (similar RAL 7035)

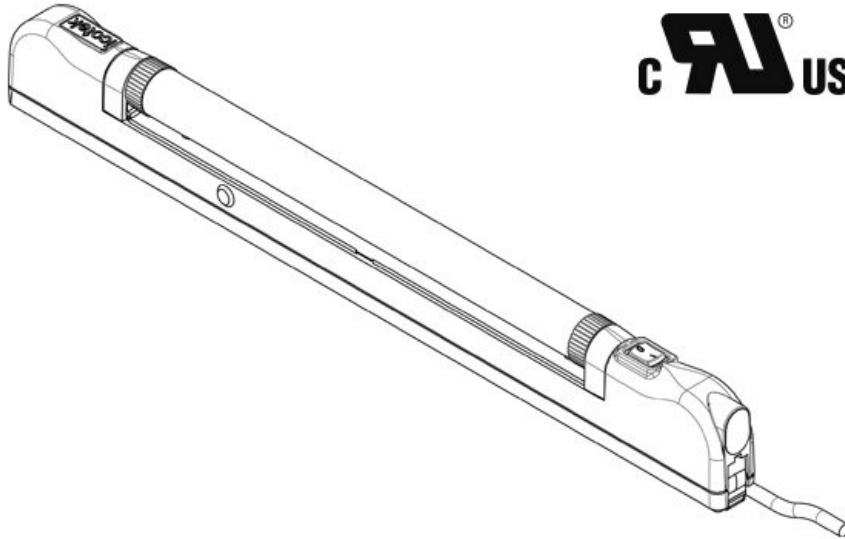
Available from 03/2025

ALLIO 100-240 V AC with motion sensor



Part No.	81105	Length	3.000 mm
EAN	4251269333064	connecting cable	
Package quantity	1	Version	PIR motion detector
UL Certificate	-	Connector type	Ferrules
Length	448 mm	Rated power	8 W
Height	56,5 mm	Operating voltage	100 - 240 V AC, 50 - 60 Hz
Width	26,2 mm	Test standard	EN 60598, EN 55015, EN 61000, EN 62741
		Guidelines	2014/35/EU, 2014/30/EU
		Service life	50.000 h
		Energy efficiency class	E
		Colour temperature	5.600 K
		Colour rendering index CRI	> 80
		Luminous flux	1.000 lm
		Colour	grey (similar RAL 7035)

ALLIO 100-240 V AC UL/CSA with motion sensor



Part No.	81201	Length	3.000 mm
EAN		connecting cable	
Package quantity	1	Version	PIR motion detector
UL Certificate	UL-US-2442933-0 / UL-CA-2432446-0	Connector type	Ferrules
Length	448 mm	Rated power	8 W
Height	56,5 mm	Operating voltage	100 - 240 V AC, 50 - 60 Hz
Width	26,2 mm	Test standard	EN 60598, EN 55015, EN 61000, EN 62741
		Guidelines	2014/35/EU, 2014/30/EU
		Service life	50.000 h
		Energy efficiency class	E
		Colour temperature	5.600 K
		Colour rendering index CRI	> 80
		Luminous flux	1.000 lm
		Colour	grey (similar RAL 7035)

Faceplate for 19" rack bk



Part No.	81135	No. of screw	4
EAN	4251269333	holes	
	101	Diam. of screw	6,5 mm
Package quantity	1	holes	
Length	484 mm		
Height	6 mm		
Width	44 mm		
Colour	black		

Faceplate for 19" rack gy



Part No.	81134	No. of screw	4
EAN	4251269333	holes	
	095	Diam. of screw	6,5 mm
Package quantity	1	holes	
Length	484 mm		
Height	6 mm		
Width	44 mm		
Colour	grey (similar RAL 7035)		