

ALU-LINE

Innovative LED lighting for industry and IT applications



The ALU-LINE system luminaires provides effective lighting in enclosures for industrial and IT applications. Their aluminium housing makes them particularly high-quality and stable.

The ALU-LINE luminaire offers an integrated socket as a practical additional benefit. This is available in EU, CH, BE or GB versions.

The High Power LED illuminates with 1350 lumens and provides a balanced homogeneous area light. Another advantage is that the through-wiring of several luminaires is possible.

A [door operated switch](#) is available as an option.

IP20

RoHS
compliant

REACH
COMPLIANCE

Made in
Germany

CE

UK
CA

Borrow a sample now



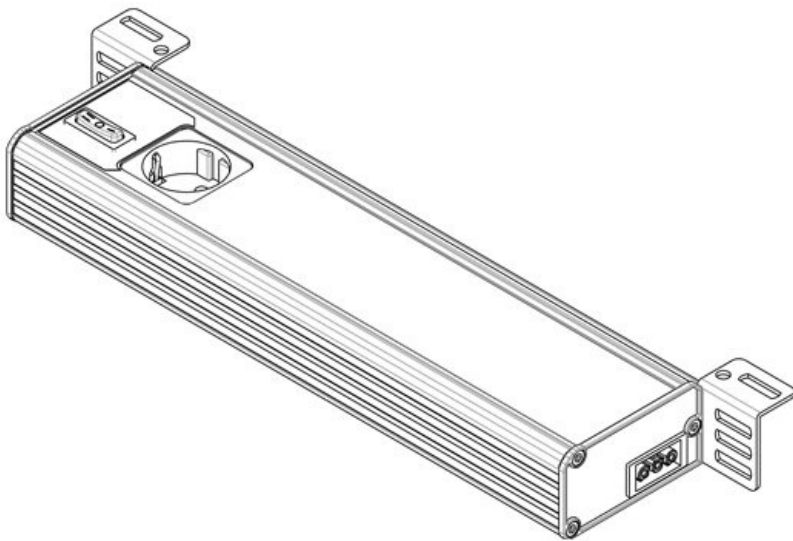
Specifications

IP rating (EN 60529)	IP20
Protection class	I (Protective conductor connection)
Material	Enclosure: Aluminium, extruded Luminaire cover: Polycarbonate
Flame class	
Operating temperature	-20 C° to 50 C°
Mounting options	Screw type mounting

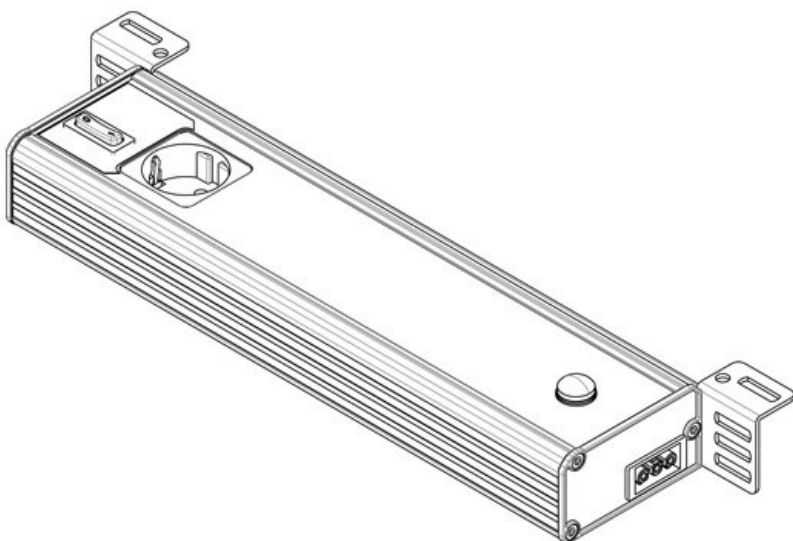
Advantages & benefits

- Integrated socket available in different versions: EU, CH, BE, GB
- High-quality and stable aluminium housing
- Various mounting types: screw assembly and assembly on top-hat rail 35 mm
- Effective LED lighting with 1350 lm
- Available with motion sensor
- Door operated switch available as an option
- Through-wiring of several luminaires possible

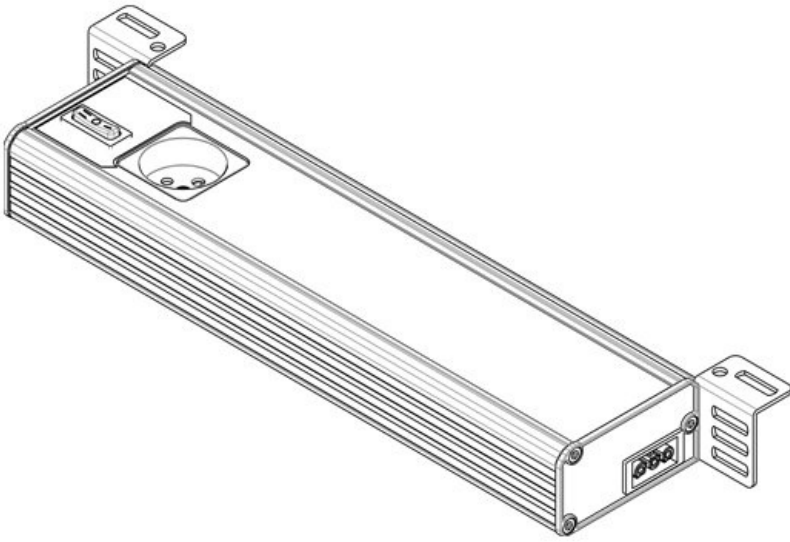
Product types & sizes



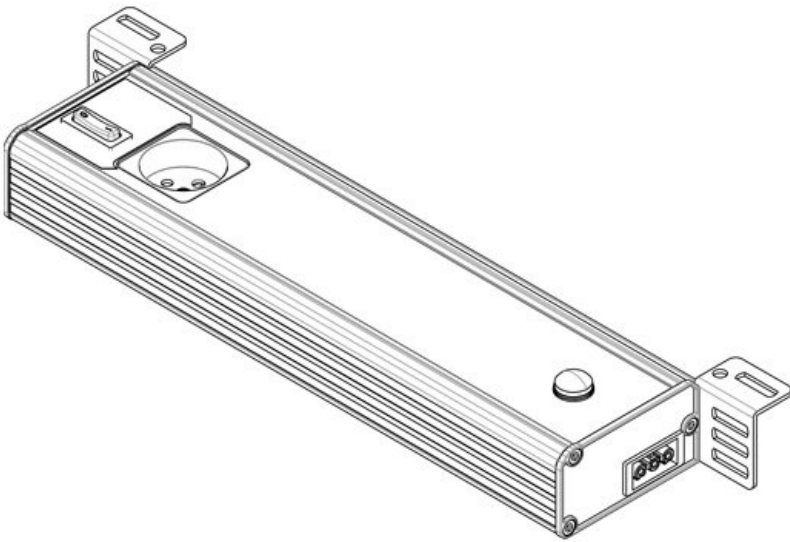
Part No.	81300	Connection possibilities	Door operated switch, Through-wiring, Feed-in
EAN	4251269332883		
Package quantity	1	Connector type	GST 18 socket
Length	347,2 mm	Rated power	12 W
Height	48 mm	Operating voltage	230 V AC +/-5%, 50 - 60 Hz
Width	112,6 mm	Test standard	EN 60598, EN 62471, EN 55015, EN 61000
Version	Socket D/Schuko (Type F, CEE 7/3)	Protection class	I (Protective conductor connection)
		Guidelines	2014/35/EU, 2014/30/EU
		Service life	50.000 h
		Energy efficiency class	F
		Consumption kWh/1000 h	13
		Colour temperature	5.600 K
		Colour rendering index CRI	>80
		Luminous flux	1.350 lm



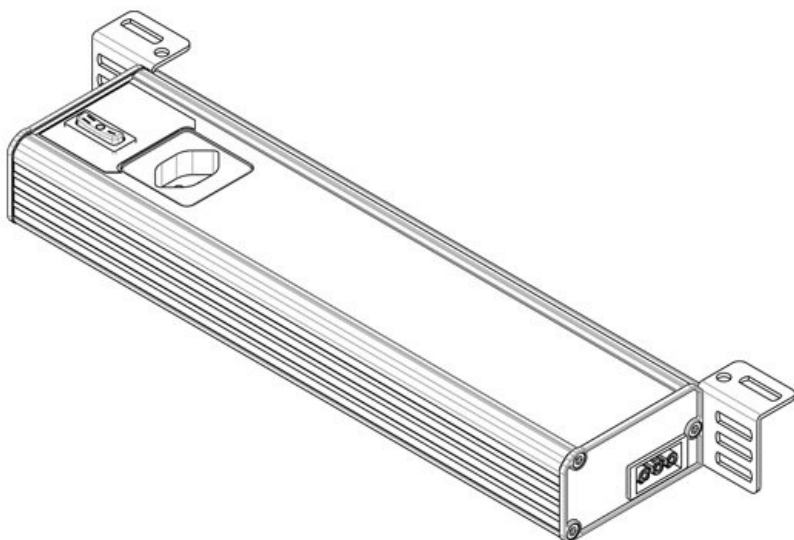
Part No.	81304	Connection possibilities	Feed-in, Through-wiring
EAN	4251269332920		
Package quantity	1	Connector type	GST 18 socket
Length	347,2 mm	Rated power	12 W
Height	48 mm	Operating voltage	230 V AC +/-5%, 50 - 60 Hz
Width	112,6 mm	Test standard	EN 60598, EN 62471, EN 55015, EN 61000
Version	Socket D/Schuko (Type F, CEE 7/3, PIR motion detector)	Protection class	I (Protective conductor connection)
		Guidelines	2014/35/EU, 2014/30/EU
		Service life	50.000 h
		Energy efficiency class	F
		Consumption kWh/1000 h	13
		Colour temperature	5.600 K
		Colour rendering index CRI	>80
		Luminous flux	1.350 lm



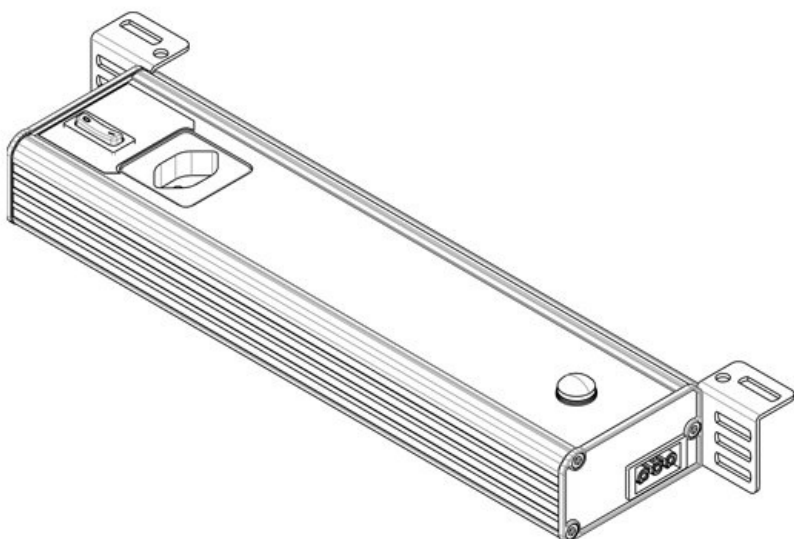
Part No.	81301	Connection possibilities	Door operated switch, Through-wiring, Feed-in
EAN	4251269332890		
Package quantity	1	Connector type	GST 18 socket
Length	347,2 mm	Rated power	12 W
Height	48 mm	Operating voltage	230 V AC +/-5%, 50 - 60 Hz
Width	112,6 mm	Test standard	EN 60598, EN 62471, EN 55015, EN 61000
Version	Socket F/B (Type E, CEE 7/5)	Protection class	I (Protective conductor connection)
		Guidelines	2014/35/EU, 2014/30/EU
		Service life	50.000 h
		Energy efficiency class	F
		Consumption kWh/1000 h	13
		Colour temperature	5.600 K
		Colour rendering index CRI	>80
		Luminous flux	1.350 lm



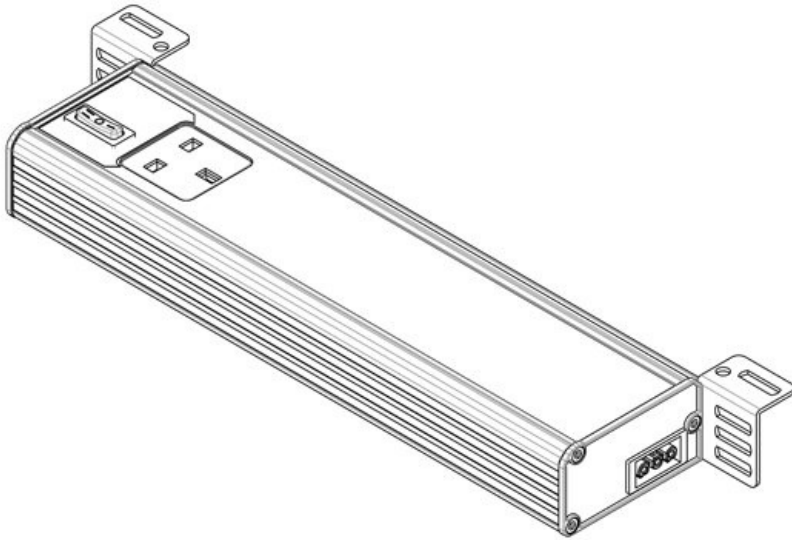
Part No.	81305	Connection possibilities	Feed-in, Through-wiring
EAN	4251269332937		
Package quantity	1	Connector type	GST 18 socket
Length	347,2 mm	Rated power	12 W
Height	48 mm	Operating voltage	230 V AC +/-5%, 50 - 60 Hz
Width	112,6 mm	Test standard	EN 60598, EN 62471, EN 55015, EN 61000
Version	PIR motion detector, Socket F/B (Type E, CEE 7/5)	Protection class	I (Protective conductor connection)
		Guidelines	2014/35/EU, 2014/30/EU
		Service life	50.000 h
		Energy efficiency class	F
		Consumption kWh/1000 h	13
		Colour temperature	5.600 K
		Colour rendering index CRI	>80
		Luminous flux	1.350 lm



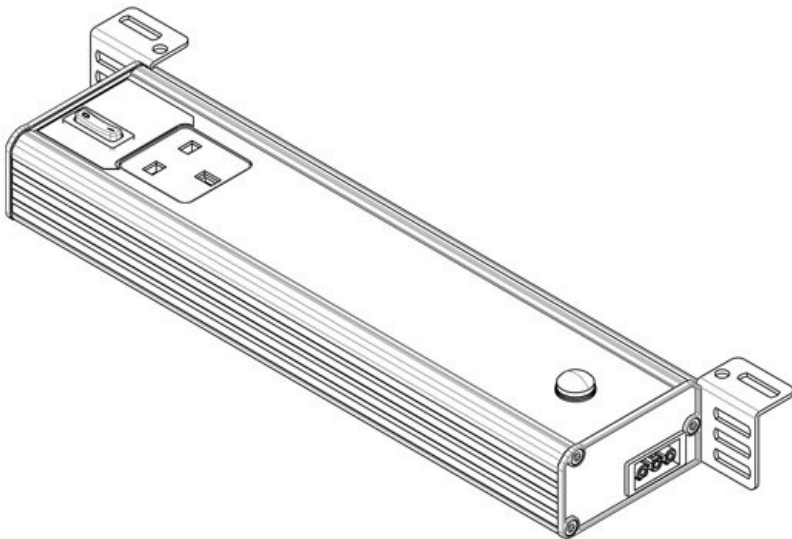
Part No.	81302	Connection possibilities	Door operated switch, Through-wiring, Feed-in
EAN	4251269332906	Connector type	GST 18 socket
Package quantity	1	Rated power	12 W
Length	347,2 mm	Operating voltage	230 V AC +/-5%, 50 - 60 Hz
Height	48 mm	Test standard	EN 60598, EN 62471, EN 55015, EN 61000
Width	112,6 mm	Protection class	I (Protective conductor connection)
Version	Socket CH (Type J, SEV 1011)	Guidelines	2014/35/EU, 2014/30/EU
		Service life	50.000 h
		Energy efficiency class	F
		Consumption kWh/1000 h	13
		Colour temperature	5.600 K
		Colour rendering index CRI	>80
		Luminous flux	1.350 lm



Part No.	81306	Connection possibilities	Feed-in, Through-wiring
EAN	4251269332944	Connector type	GST 18 socket
Package quantity	1	Rated power	12 W
Length	347,2 mm	Operating voltage	230 V AC +/-5%, 50 - 60 Hz
Height	48 mm	Test standard	EN 60598, EN 62471, EN 55015, EN 61000
Width	112,6 mm	Protection class	I (Protective conductor connection)
Version	PIR motion detector, Socket CH (Type J, SEV 1011)	Guidelines	2014/35/EU, 2014/30/EU
		Service life	50.000 h
		Energy efficiency class	F
		Consumption kWh/1000 h	13
		Colour temperature	5.600 K
		Colour rendering index CRI	>80
		Luminous flux	1.350 lm



Part No.	81303	Connection possibilities	Door operated switch,
EAN	4251269332913		Through-wiring, Feed-in
Package quantity	1	Connector type	GST 18 socket
Length	347,2 mm	Rated power	12 W
Height	48 mm	Operating voltage	230 V AC +/-5%, 50 - 60 Hz
Width	112,6 mm	Test standard	EN 60598, EN 62471, EN 55015, EN 61000
Version	Socket GB (Type G, BS 1363)	Protection class	I (Protective conductor connection)
		Guidelines	2014/35/EU, 2014/30/EU
		Service life	50.000 h
		Energy efficiency class	F
		Consumption kWh/1000 h	13
		Colour temperature	5.600 K
		Colour rendering index CRI	>80
		Luminous flux	1.350 lm



Part No.	81307	Connection possibilities	Feed-in, Through-wiring
EAN	4251269332951		GST 18 socket
Package quantity	1	Connector type	GST 18 socket
Length	347,2 mm	Rated power	12 W
Height	48 mm	Operating voltage	230 V AC +/-5%, 50 - 60 Hz
Width	112,6 mm	Test standard	EN 60598, EN 62471, EN 55015, EN 61000
Version	Socket GB (Type G, BS 1363), PIR motion detector	Protection class	I (Protective conductor connection)
		Guidelines	2014/35/EU, 2014/30/EU
		Service life	50.000 h
		Energy efficiency class	F
		Consumption kWh/1000 h	13
		Colour temperature	5.600 K
		Colour rendering index CRI	>80
		Luminous flux	1.350 lm

Connecting cable for ALU-LINE, 3000 mm



Part No.	81330	Material cable	PVC
EAN	4251269332	sheath	968
Package quantity	1		
Length connecting cable	3.000 mm		
Connector type	Ferrules, GST 18 connector		
Operating voltage	230 V AC		
	±5%, 50 - 60 Hz		
Colour	orange		

Through-wiring cable for ALU-LINE, 600 mm



Part No.	81331	Material cable	PVC
EAN	4251269332	sheath	975
Package quantity	1		
Length connecting cable	600 mm		
Connector type	GST 18 connector, GST 18 socket		
Operating voltage	230 V AC		
	±5%, 50 - 60 Hz		
Colour	orange		

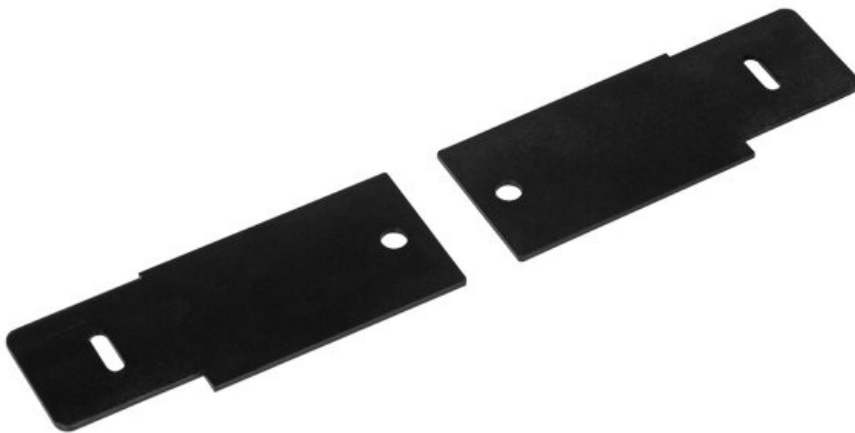
Through-wiring cable for ALU-LINE, 1000 mm

Part No.	81332	Material cable	PVC
EAN	4251269332	sheath	
	982		
Package quantity	1		
Length connecting cable	1.000 mm		
Connector type	GST 18 connector, GST 18 socket		
Operating voltage	230 V AC ±5%, 50 - 60 Hz		
Colour	orange		



Mounting plates 19" rack for ALU-LINE

Part No.	81337	Diam. of screw	7 mm
EAN		holes	
Package quantity	2		
Length	111 mm		
Width	43,4 mm		
Colour	black		
No. of screw holes	2		





Part No.	91008	Diam. of screw 4,2 mm
EAN		holes
Package quantity	1	
Length	20 mm	
Height	5 mm	
Width	20 mm	
No. of screw holes	1	