

Rectangular & square punches

sized for heavy multi-pin industrial connectors and icotek cable entry systems



Rectangular and square punches and dies make it easy to punch holes into stainless steel (V2A versions), mild steel, aluminium or plastics with a max. sheet thickness of 2 mm. Available for cut-outs sizes of 10-, 16-, and 24- multi-pin heavy industrial connectors and also for numerous special cut-outs. Therefore, the punches are suitable for most icotek cable entry systems. Centre punches are integrated in the die for exact drilling of mounting holes.

The punches are for hydraulic operation only.

Scope of delivery:

- Punch, die and draw stud
- robust plastic storage case

Note: Punch 125 x 125 mm (order no. 80063) is only to be used with hydraulic foot pump (order no. 80002).

Specifications

Material Steel, hardened and burnished

Advantages & benefits

- Centre punches for exact drilling of mounting holes
- Robust plastic storage case
- Suitable for hand hydraulic punch driver by icotek and other manufacturers

Product types & sizes

Punch 24



Part No.	80053	Punching material	Plastic, Mild steel (St)
EAN	4251269316289	Max. wall thickness	2 mm
Package quantity	1	Suitable draw stud	80209
Number of centre punches	4	Suitable counter nut	80211
Cut-out size Suitable for cable entry systems:	112 x 36 mm KEL-ER 24, KEL 24, KEL-U 24, KEL-FA 24, KEL-FG A, KEL-FG-ER A, KEL-QUICK 24, KEL-QTA 24, KEL-BES 24, KEL-BES-S 24, KEL-DPZ 24, KEL-DPU 24, KEL-DPU-HD 24, KEL-DP 24	Suitable centre punches	80065
For cut-out of connector	24-pin		

Punch 24 V2A

Part No.	80153	Punching	Stainless
EAN	4251269316	material	steel (V2A)
	456	Max. wall	2 mm
Package	1	thickness	
quantity		Suitable draw	80209
Number of	4	stud	
centre		Suitable	80211
punches		counter nut	
Cut-out size	112 × 36 mm	Suitable centre	80065
Suitable for	KEL-ER 24,	punches	
cable entry	KEL 24, KEL-		
systems:	U 24, KEL-FA		
	24, KEL-FG		
	A, KEL-FG-ER		
	A, KEL-		
	QUICK 24,		
	KEL-QTA 24,		
	KEL-BES 24,		
	KEL-BES-S		
	24, KEL-DPZ		
	24, KEL-DPU		
	24, KEL-DPU-		
	HD 24, KEL-		
	DP 24		
For cut-out of	24-pin		
connector			

Punch 24-XL

Part No.	80054	Max. wall	2 mm
EAN	4251269316	thickness	
	296	Suitable draw	80209
Package	1	stud	
quantity		Suitable	80211
Number of	4	counter nut	
centre		Suitable centre	80065
punches		punches	
Cut-out size	112 × 46 mm		
Suitable for	KEL-ER 24,		
cable entry	KEL 24, KEL-		
systems:	U 24, KEL-FA		
	24, KEL-FG		
	A, KEL-FG-ER		
	A, KEL-		
	QUICK 24,		
	KEL-BES 24,		
	KEL-BES-S		
	24, KEL-DPZ		
	24, KEL-DPU		
	24, KEL-DPU-		
	HD 24		
Punching	Plastic, Mild		
material	steel (St)		

Punch 24-XL V2A



Part No.	80154	Max. wall thickness	2 mm
EAN	4251269316463	Suitable draw stud	80209
Package quantity	1	Suitable counter nut	80211
Number of centre punches	4	Suitable centre punches	80065
Cut-out size	112 × 46 mm		
Suitable for cable entry systems:	KEL-ER 24, KEL 24, KEL-U 24, KEL-FA 24, KEL-FG A, KEL-FG-ER A, KEL-QUICK 24, KEL-BES 24, KEL-BES-S 24, KEL-DPZ 24, KEL-DPU 24, KEL-DPU-HD 24		
Punching material	Stainless steel (V2A)		

Punch KEA 24



Part No.	80101	Max. wall thickness	2 mm
EAN		Suitable draw stud	80209
Package quantity	1	Suitable counter nut	80211
Number of centre punches	4	Suitable centre punches	80065
Cut-out size	112 × 56 mm		
Suitable for cable entry systems:	KEA 24 W90 S, KEA 24 W90 R		
Punching material	Plastic, Mild steel (St)		

Punch KEA 24 V2A



Part No.	80225	Max. wall thickness	2 mm
EAN		Suitable draw stud	80209
Package quantity	1	Suitable counter nut	80211
Number of centre punches	4	Suitable centre punches	80065
Cut-out size	112 x 56 mm		
Suitable for cable entry systems:	KEA 24 W90 S, KEA 24 W90 R		
Punching material	Stainless steel (V2A)		

Punch 24-E



Part No.	80061	Punching material	Plastic, Mild steel (St)
EAN	4251269318757	Max. wall thickness	2 mm
Package quantity	1	Suitable draw stud	80209
Number of centre punches	-	Suitable counter nut	80211
Cut-out size	112 x 66 mm		
Suitable for cable entry systems:	KEL 24-E		
For cut-out of connector	32-pin		

Punch 16



Part No.	80052	Punching	Plastic, Mild
EAN	4251269316	material	steel (St)
	272	Max. wall	2 mm
Package	1	thickness	
quantity		Suitable draw	80209
Number of	4	stud	
centre		Suitable	80211
punches		counter nut	
Cut-out size	86 x 36 mm	Suitable centre	80065
Suitable for	KEL-ER 16,	punches	
cable entry	KEL 16, KEL-		
systems:	U 16, KEL-FA		
	16, KEL-		
	QUICK 16,		
	KEL-BES 16,		
	KEL-BES-S		
	16, KEL-DPZ		
	16, KEL-DP		
	16		
For cut-out of	16-pin		
connector			

Punch 16 V2A



Part No.	80152	Punching	Stainless
EAN	4251269316	material	steel (V2A)
	449	Max. wall	2 mm
Package	1	thickness	
quantity		Suitable draw	80209
Number of	4	stud	
centre		Suitable	80211
punches		counter nut	
Cut-out size	86 x 36 mm	Suitable centre	80065
Suitable for	KEL-ER 16,	punches	
cable entry	KEL 16, KEL-		
systems:	U 16, KEL-FA		
	16, KEL-		
	QUICK 16,		
	KEL-BES 16,		
	KEL-BES-S		
	16, KEL-DPZ		
	16, KEL-DP		
	16		
For cut-out of	16-pin		
connector			

Punch 10



Part No.	80051	Punching	Mild steel
EAN	4251269316	material	(St), Plastic
	265	Max. wall	2 mm
Package	1	thickness	
quantity		Suitable draw	80209
Number of	4	stud	
centre		Suitable	80211
punches		counter nut	
Cut-out size	65 x 36 mm	Suitable centre	80065
Suitable for	KEL-ER 10,	punches	
cable entry	KEL 10, KEL-		
systems:	U 10, KEL-FA		
	10, KEL-		
	QUICK 10,		
	KEL-QTA 10,		
	KEL-BES 10,		
	KEL-BES-S		
	10, KEL-DPZ		
	10, KEL-DP		
	10		
For cut-out of	10-pin		
connector			

Punch 10 V2A



Part No.	80151	Punching	Stainless
EAN	4251269316	material	steel (V2A)
	432	Max. wall	2 mm
Package	1	thickness	
quantity		Suitable draw	80209
Number of	4	stud	
centre		Suitable	80211
punches		counter nut	
Cut-out size	65 x 36 mm	Suitable centre	80065
Suitable for	KEL-ER 10,	punches	
cable entry	KEL 10, KEL-		
systems:	U 10, KEL-FA		
	10, KEL-		
	QUICK 10,		
	KEL-QTA 10,		
	KEL-BES 10,		
	KEL-BES-S		
	10, KEL-DPZ		
	10, KEL-DP		
	10		
For cut-out of	10-pin		
connector			

Punch 6

Part No.	80062	Punching	Plastic, Mild
EAN	4251269319	material	steel (St)
	013	Max. wall	2 mm
Package	1	thickness	
quantity		Suitable draw	80209
Number of	4	stud	
centre		Suitable	80211
punches		counter nut	
Cut-out size	52 x 36 mm	Suitable centre	80065
Suitable for	KEL-DPZ 6,	punches	
cable entry	KEL-DP 6		
systems:			
For cut-out of	6-pin		
connector			

Punch 6 V2A

Part No.	80149	Punching	Stainless
EAN	4251269321	material	steel (V2A)
	542	Max. wall	2 mm
Package	1	thickness	
quantity		Suitable draw	80209
Number of	-	stud	
centre		Suitable	80211
punches		counter nut	
Cut-out size	52 x 36 mm	Suitable centre	80065
Suitable for	KEL-DPZ 6,	punches	
cable entry	KEL-DP 6		
systems:			
For cut-out of	6-pin		
connector			

Punch B



Part No.	80049	Max. wall thickness	2 mm
EAN	4251269331	Suitable draw stud	80209
Package quantity	1	Suitable counter nut	80211
Number of centre punches	4	Suitable centre punches	80065
Cut-out size	46 x 46 mm		
Suitable for cable entry systems:	KEL-ER-B, KEL-B, KEL-U-B, KEL-FG-B, KEL-FG-ER-B, KEL-QUICK-B, KEL-QTA-B, KEL-DPZ-B		
Punching material	Plastic, Mild steel (St)		

Punch B



Part No.	80050	Max. wall thickness	2 mm
EAN	4251269316	Suitable draw stud	80209
Package quantity	1	Suitable counter nut	80211
Number of centre punches	-		
Cut-out size	46 x 46 mm		
Suitable for cable entry systems:	KEL-ER-B, KEL-B, KEL-U-B, KEL-FG-B, KEL-FG-ER-B, KEL-QUICK-B, KEL-QTA-B, KEL-DPZ-B		
Punching material	Plastic, Mild steel (St)		

Punch B V2A



Part No.	80150	Max. wall thickness	2 mm
EAN	4251269316425	Suitable draw stud	80209
Package quantity	1	Suitable counter nut	80211
Number of centre punches	-		
Cut-out size	46 x 46 mm		
Suitable for cable entry systems:	KEL-ER-B, KEL-B, KEL-U-B, KEL-FG-B, KEL-FG-ER-B, KEL-QUICK-B, KEL-QTA-B, KEL-DPZ-B		
Punching material	Stainless steel (V2A)		

Punch E5



Part No.	80058	Max. wall thickness	2 mm
EAN	4251269316333	Suitable draw stud	80226
Package quantity	1	Suitable counter nut	80211
Number of centre punches	2	Suitable centre punches	80065
Cut-out size	112 x 24 mm		
Suitable for cable entry systems:	KEL-ER-E5, KEL-E5, KEL-FG-E5, KEL-FG-ER-E5, KEL-QUICK-E5, KEL-FL 4		
Punching material	Plastic, Mild steel (St)		

Punch E4

Part No.	80057	Max. wall thickness	2 mm
EAN	4251269316326	Suitable draw stud	80226
Package quantity	1	Suitable counter nut	80211
Number of centre punches	2	Suitable centre punches	80065
Cut-out size	86 x 24 mm		
Suitable for cable entry systems:	KEL-ER-E4, KEL-E4, KEL-QUICK-E4, KEL-FL 3		
Punching material	Plastic, Mild steel (St)		

Punch E3

Part No.	80056	Max. wall thickness	2 mm
EAN	4251269316319	Suitable draw stud	80226
Package quantity	1	Suitable counter nut	80211
Number of centre punches	2	Suitable centre punches	80065
Cut-out size	65 x 24 mm		
Suitable for cable entry systems:	KEL-ER-E3, KEL-E3, KEL-FG-E3, KEL-FG-ER-E3, KEL-QUICK-E3, KEL-FL 2		
Punching material	Plastic, Mild steel (St)		

Punch E2



Part No.	80055	Max. wall	2 mm
EAN	4251269316	thickness	
	302	Suitable draw	80226
Package	1	stud	
quantity		Suitable	80211
Number of	2	counter nut	
centre		Suitable centre	80065
punches		punches	
Cut-out size	43 x 24 mm		
Suitable for	KEL-ER-E2,		
cable entry	KEL-E2, KEL-		
systems:	FG-E2, KEL-		
	FG-ER-E2,		
	KEL-QUICK-		
	E2, KEL-FL 1		
Punching	Plastic, Mild		
material	steel (St)		

Punch E1



Part No.	80075	Max. wall	2 mm
EAN	4251269332	thickness	
	517	Suitable draw	80205
Package	1	stud	
quantity		Suitable	80227
Number of	2	counter nut	
centre			
punches			
Cut-out size	21 x 27 mm		
Suitable for	KEL-E1		
cable entry			
systems:			
Punching	Plastic, Mild		
material	steel (St)		

Punch 138×138



Part No.	80086	Suitable draw	80213
EAN	4251269336	stud	
	171	Suitable	80214
Package quantity	1	counter nut	
Number of centre punches	-		
Cut-out size	138 × 138 mm		
Punching material	Plastic, Mild steel (St)		
Max. wall thickness	2 mm		

Punch 138×68



Part No.	80094	Suitable draw	80213
EAN	4251269336	stud	
	256	Suitable	80214
Package quantity	1	counter nut	
Number of centre punches	-		
Cut-out size	68 × 138 mm		
Punching material	Plastic, Mild steel (St)		
Max. wall thickness	2 mm		

Punch 125x125



Part No. **80063** Suitable **80214**
EAN **4251269322** counter nut
709
Package quantity **1**
Number of centre punches -
Punching material **Plastic, Mild steel (St)**
Max. wall thickness **2 mm**
Suitable draw stud **80213**

Punch 92x92



Part No. **80060** Suitable draw stud **80209**
EAN **4251269318** Suitable counter nut **80211**
252
Package quantity **1**
Number of centre punches -
Cut-out size **92 x 92 mm**
Punching material **Plastic, Mild steel (St)**
Max. wall thickness **2 mm**

Punch 92×46



Part No.	80093	Suitable draw	80209
EAN	4251269336	stud	
	249	Suitable	80211
Package quantity	1	counter nut	
Number of centre punches	-		
Cut-out size	46 × 92 mm		
Punching material	Plastic, Mild steel (St)		
Max. wall thickness	2 mm		

Punch 92×45



Part No.	80092	Suitable draw	80209
EAN	4251269336	stud	
	232	Suitable	80211
Package quantity	1	counter nut	
Number of centre punches	-		
Cut-out size	45 × 92 mm		
Punching material	Plastic, Mild steel (St)		
Max. wall thickness	2 mm		

Punch 91×117



Part No.	80066	Suitable draw stud	80209
EAN		Suitable counter nut	80211
Package quantity	1		
Number of centre punches	-		
Cut-out size	91 × 117 mm		
Punching material	Plastic, Mild steel (St)		
Max. wall thickness	2 mm		

Punch 73×24



Part No.	80224	Suitable draw stud	80226
EAN		Suitable counter nut	80211
Package quantity	1	Suitable centre punches	80065
Number of centre punches	4		
Cut-out size	73 × 24 mm		
Punching material	Plastic, Mild steel (St)		
Max. wall thickness	2 mm		

Punch 71×29

Part No.	80161	Suitable draw	80226
EAN		stud	
Package	1	Suitable	80211
quantity		counter nut	
Number of	-		
centre			
punches			
Cut-out size	71 × 29 mm		
Punching	Plastic, Mild		
material	steel (St)		
Max. wall	2 mm		
thickness			



Punch 68×68

Part No.	80064	Suitable draw	80209
EAN		stud	
Package	1	Suitable	80211
quantity		counter nut	
Number of	-		
centre			
punches			
Cut-out size	68 × 68 mm		
Punching	Plastic, Mild		
material	steel (St)		
Max. wall	2 mm		
thickness			



Punch 65×113



Part No.	80074	Suitable draw stud	80209
EAN		Suitable counter nut	80211
Package quantity	1		
Number of centre punches	-		
Cut-out size	65 × 113 mm		
Punching material	Plastic, Mild steel (St)		
Max. wall thickness	2 mm		

Punch 50.8×50.8



Part No.	80085	Suitable draw stud	80209
EAN	4251269336	Suitable counter nut	80211
Package quantity	1		
Number of centre punches	-		
Cut-out size	50.8 × 50.8 mm		
Punching material	Plastic, Mild steel (St)		
Max. wall thickness	2 mm		

Punch 50x25



Part No.	80091	Suitable draw	80231
EAN	4251269336	stud	
Package quantity	225	Suitable counter nut	80227
Number of centre punches	-		
Cut-out size	25 x 50 mm		
Punching material	Plastic, Mild steel (St)		
Max. wall thickness	2 mm		

Punch 32x90



Part No.	80159	Suitable draw	80226
EAN		stud	
Package quantity	1	Suitable counter nut	80211
Number of centre punches	-		
Cut-out size	32 x 90 mm		
Punching material	Plastic, Mild steel (St)		
Max. wall thickness	2 mm		

Punch 25.4×25.4



Part No.	80084	Suitable draw	80205
EAN	4251269336	stud	
	157	Suitable	80227
Package quantity	1	counter nut	
Number of centre punches	-		
Cut-out size	25.4 × 25.4 mm		
Punching material	Plastic, Mild steel (St)		
Max. wall thickness	2 mm		

Punch 24×57



Part No.	80223	Suitable draw	80226
EAN		stud	
Package quantity	1	Suitable	80211
Number of centre punches	4	counter nut	
		Suitable centre punches	80065
Cut-out size	24 × 57 mm		
Punching material	Plastic, Mild steel (St)		
Max. wall thickness	2 mm		

Punch 24x24



Part No.	80083	Suitable draw	80205
EAN	4251269336	stud	
Package quantity	140	Suitable counter nut	80227
Number of centre punches	-		
Cut-out size	24 x 24 mm		
Punching material	Plastic, Mild steel (St)		
Max. wall thickness	2 mm		

Punch 22.2x22.2



Part No.	80067	Max. wall thickness	2 mm
EAN		Suitable draw stud	80205
Package quantity	1	Suitable counter nut	80227
Number of centre punches	2	Suitable centre punches	80232
Cut-out size	22.2 x 22.2 mm		
For cut-out of connector	HAN 3A		
Punching material	Plastic, Mild steel (St)		

Punch SUB-D9



Part No.	80073	Suitable draw stud	80228
EAN		Suitable counter nut	80229
Package quantity	1		
Number of centre punches	-		
For cut-out of connector	SUB-D9		
Punching material	Plastic, Mild steel (St)		
Max. wall thickness	2 mm		

Punch 22x45



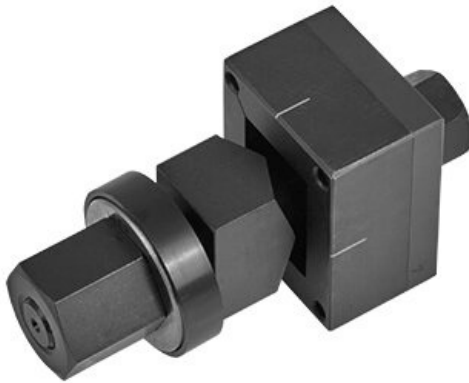
Part No.	80059	Suitable draw stud	80205
EAN	4251269319174	Suitable counter nut	80227
Package quantity	1		
Number of centre punches	-		
Cut-out size	22 x 45 mm		
Punching material	Plastic, Mild steel (St)		
Max. wall thickness	2 mm		

Punch 22x42



Part No.	80089	Suitable draw	80205
EAN	4251269336	stud	
	201	Suitable	80227
Package quantity	1	counter nut	
Number of centre punches	-		
Cut-out size	22 x 42 mm		
Punching material	Plastic, Mild steel (St)		
Max. wall thickness	2 mm		

Punch 22x30



Part No.	80088	Suitable draw	80205
EAN	4251269336	stud	
	195	Suitable	80227
Package quantity	1	counter nut	
Number of centre punches	-		
Cut-out size	22 x 30 mm		
Punching material	Plastic, Mild steel (St)		
Max. wall thickness	2 mm		

Punch 21.3×21.3



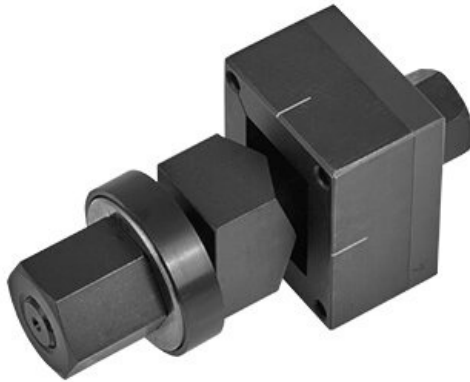
Part No.	80082	Suitable draw	80205
EAN	4251269336	stud	
	133	Suitable	80227
Package quantity	1	counter nut	
Number of centre punches	-		
Cut-out size	21.3 × 21.3 mm		
Punching material	Plastic, Mild steel (St)		
Max. wall thickness	2 mm		

Punch 19.1×19.1



Part No.	80081	Suitable draw	80205
EAN	4251269336	stud	
	126	Suitable	80227
Package quantity	1	counter nut	
Number of centre punches	-		
Cut-out size	19.1 × 19.1 mm		
Punching material	Plastic, Mild steel (St)		
Max. wall thickness	2 mm		

Punch 19×17



Part No.	80087	Suitable draw	80228
EAN	4251269336	stud	
Package quantity	188	Suitable counter nut	80229
Number of centre punches	-		
Cut-out size	17 × 19 mm		
Punching material	Plastic, Mild steel (St)		
Max. wall thickness	2 mm		

Punch 16.4×15.3



Part No.	80222	Suitable draw	80228
EAN		stud	
Package quantity	1	Suitable counter nut	80229
Number of centre punches	-		
Cut-out size	16.4 × 15.3 mm		
Punching material	Plastic, Mild steel (St)		
Max. wall thickness	2 mm		

Punch 15.8×15.8



Part No.	80080	Suitable draw	80228
EAN	4251269336119	stud	
Package quantity	1	Suitable counter nut	80229
Number of centre punches	-		
Cut-out size	15.8 × 15.8 mm		
Punching material	Plastic, Mild steel (St)		
Max. wall thickness	2 mm		

Punch 15.4×14.5



Part No.	80220	Suitable draw	80228
EAN		stud	
Package quantity	1	Suitable counter nut	80229
Number of centre punches	-		
Cut-out size	15.4 × 14.5 mm		
Punching material	Plastic, Mild steel (St)		
Max. wall thickness	2 mm		

Punch 12.7×12.7



Part No.	80079	Suitable draw	80228
EAN	4251269336	stud	
Package quantity	102	Suitable counter nut	80229
Number of centre punches	-		
Cut-out size	12.7 × 12.7 mm		
Punching material	Plastic, Mild steel (St)		
Max. wall thickness	2 mm		

Draw stud 80205



Part No.	80205
EAN	
Package quantity	1
Diameter D1	13 mm
Diameter D2	11 mm
Length	105 mm

Draw stud 80209



Part No. **80209**
EAN
Package **1**
quantity
Diameter D1 **19 mm**
Length **135 mm**

Draw stud 80213



Part No. **80213**
EAN
Package **1**
quantity
Diameter D1 **28,3 mm**
Diameter D2 **25 mm**
Length **155 mm**

Draw stud 80226



Part No. **80226**
EAN **4251269336**
263
Package **1**
quantity
Diameter D1 **19 mm**
Diameter D2 **14 mm**
Length **130 mm**

Draw stud 80228



Part No. **80228**
EAN **4251269336**
287
Package quantity **1**
Diameter D1 **9,5 mm**
Diameter D2 **8,25 mm**
Length **105 mm**

Draw stud 80231



Part No. **80231**
EAN **4251269336**
317
Package quantity **1**
Diameter D1 **16 mm**
Diameter D2 **14,5 mm**
Length **110 mm**

Counter nut 80206



Part No. **80206**
EAN
Package quantity **1**
Thread **1/2 UNF**

Counter nut 80211

Part No. **80211**
EAN
Package quantity **1**
Thread **3/4 UNF**



Counter nut 80229

Part No. **80229**
EAN **4251269336**
294
Package quantity **1**
Thread **3/8 UNF**



Counter nut 80214

Part No. **80214**
EAN
Package quantity **1**



HSS Multi-stage drill

Part No. **80204**
EAN
Package **1**
quantity



icotek[®]
smart cable management