

KGM | GMT | Hexagonal locknuts

for split cable glands, with threads M16 - M85



KGM are hexagonal locknuts with metric threads M16 - M85 for attaching components together.

For routing SUB-D, DVI or PROFIBUS connectors in combination with the [split cable glands KVT / QVT](#), special locknuts with suitable cut-outs are required:

- KGM-SUB-D9 fits D-Sub 9 connectors (Required wall cut-out: \varnothing 36 mm)
- KGM-PB fits DVI and PROFIBUS connectors (Required wall cut-out: \varnothing 42 mm)
- KGM-SUB-D25 fits SUB-D25 connectors (Required wall cut-out: \varnothing 50 - 54 mm)

Split hexagonal locknuts GMT for use in combination with split cable glands KVT/QVT whenever pre-terminated cables are routed inside cable protection conduits through a machine or cabinet wall. Suitable for [split corrugated conduits CONFIX WST](#).

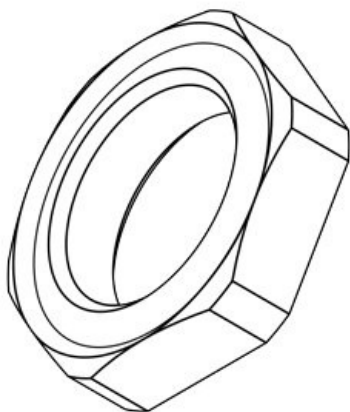
Specifications

Flame class	UL94-V0, self-extinguishing
Operating temperature	-30 C° to 120 C°
Properties	silicone free, halogen free

Advantages & benefits

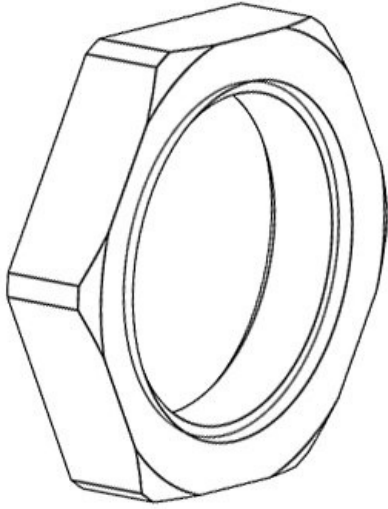
Product types & sizes

KGM 16 gy



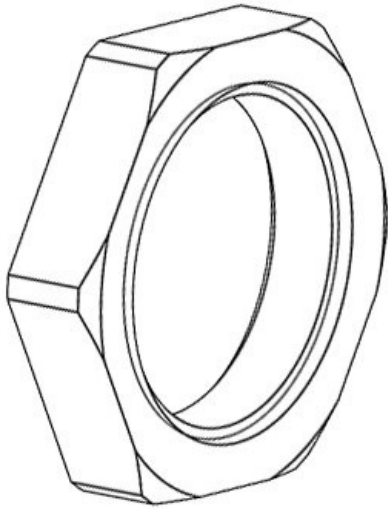
Part No.	52272	Thread	M16 × 1,5
EAN	4251269315459	Connector type	universal
Package quantity	10	Split	No
Colour	grey (similar RAL 7035)		
Height	4,3 mm		
External diameter	24,5 mm		
Wrench size	SW 22.8		

KGM 20 gy



Part No.	52273	Connector	universal
EAN	4251269315	type	
	466	Split	No
Package quantity	10		
Colour	grey (similar RAL 7035)		
Height	7 mm		
Wrench size	SW 26		
Thread	M20 × 1,5		

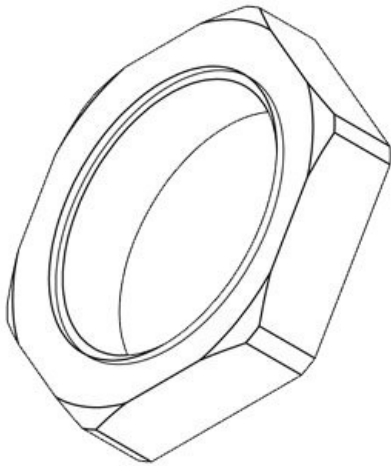
KGM 20 bk



Part No.	52283	Connector	universal
EAN	4251269315	type	
	527	Split	No
Package quantity	10		
Colour	black		
Height	7 mm		
Wrench size	SW 26		
Thread	M20 × 1,5		

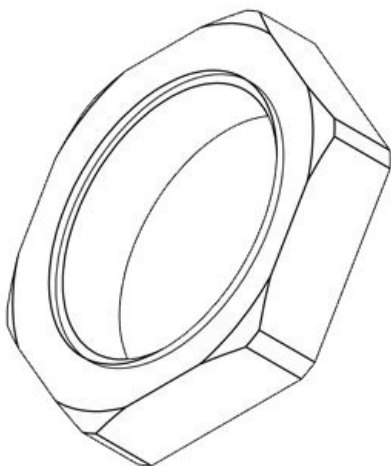
KGM 25 gy

Part No.	52274	Connector	universal
EAN	4251269315	type	
	473	Split	No
Package quantity	10		
Colour	grey (similar RAL 7035)		
Height	7 mm		
Wrench size	SW 32		
Thread	M25 × 1,5		

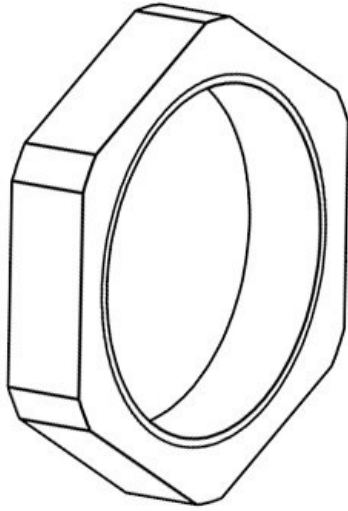


KGM 25 bk

Part No.	52284	Connector	universal
EAN	4251269315	type	
	534	Split	No
Package quantity	10		
Colour	black		
Height	7 mm		
Wrench size	SW 32		
Thread	M25 × 1,5		

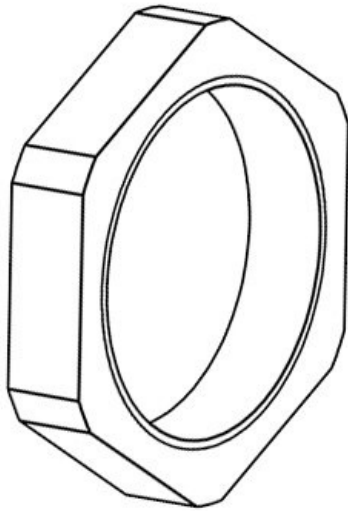


KGM 32 gy



Part No.	52275	Connector	universal
EAN	4251269315	type	
	480	Split	No
Package quantity	10		
Colour	grey (similar RAL 7035)		
Height	7 mm		
Wrench size	SW 41		
Thread	M32 × 1,5		

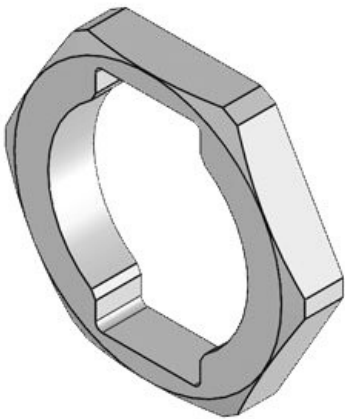
KGM 32 bk



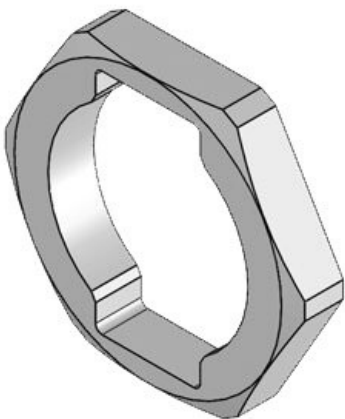
Part No.	52285	Connector	universal
EAN	4251269315	type	
	541	Split	No
Package quantity	10		
Colour	black		
Height	7 mm		
Wrench size	SW 41		
Thread	M32 × 1,5		

KGM-SUB-D9 gy

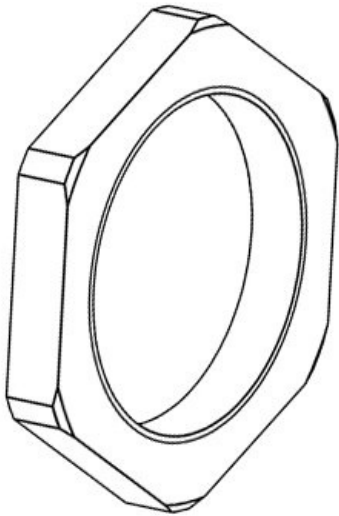
Part No.	45105	Connector	D-Sub 9
EAN	4251269311	type	
	185	Split	No
Package quantity	10		
Colour	grey (similar RAL 7035)		
Height	7 mm		
Wrench size	SW 41		
Thread	M32 x 1,5		

**KGM-SUB-D9 bk**

Part No.	45106	Connector	D-Sub 9
EAN	4251269311	type	
	192	Split	No
Package quantity	10		
Colour	black		
Height	7 mm		
Wrench size	SW 41		
Thread	M32 x 1,5		

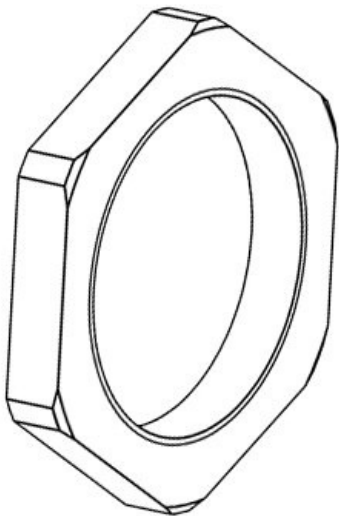


KGM 40 gy



Part No.	52276	Connector	universal
EAN	4251269315	type	
	497	Split	No
Package quantity	10		
Colour	grey (similar RAL 7035)		
Height	7 mm		
Wrench size	SW 50		
Thread	M40 × 1,5		

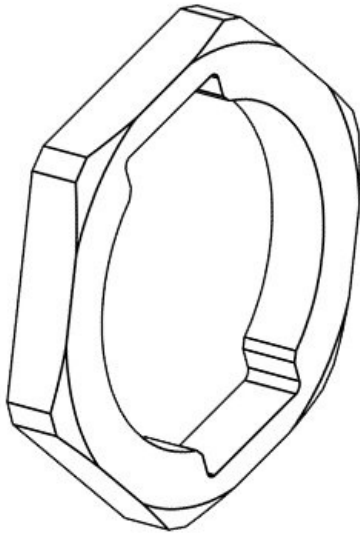
KGM 40 bk



Part No.	52286	Connector	universal
EAN	4251269315	type	
	558	Split	No
Package quantity	10		
Colour	black		
Height	7 mm		
Wrench size	SW 50		
Thread	M40 × 1,5		

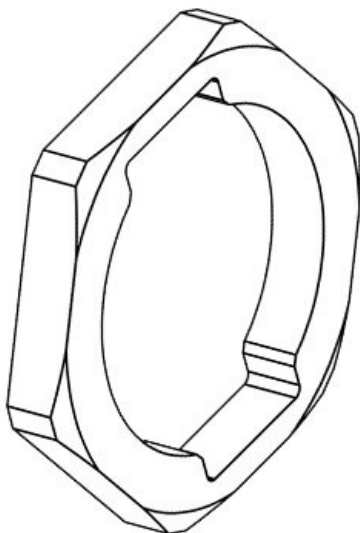
KGM-PB gy

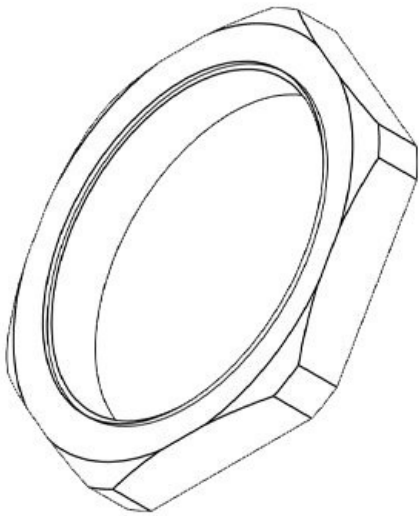
Part No.	45107	Connector	Profibus
EAN	4251269311	type	No
	208	Split	
Package quantity	10		
Colour	grey (similar RAL 7035)		
Height	8 mm		
Wrench size	SW 50		
Thread	M40 × 1,5		



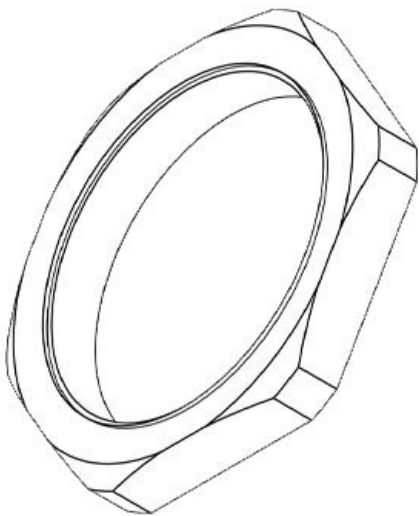
KGM-PB bk

Part No.	45109	Connector	Profibus
EAN	4251269311	type	No
	222	Split	
Package quantity	10		
Colour	black		
Height	8 mm		
Wrench size	SW 50		
Thread	M40 × 1,5		



KGM 50 gy

Part No.	52277	Connector	universal
EAN	4251269315	type	No
	503	Split	No
Package quantity	10		
Colour	grey (similar RAL 7035)		
Height	8,5 mm		
Wrench size	SW 60		
Thread	M50 × 1,5		

KGM 50 bk

Part No.	52287	Connector	universal
EAN	4251269315	type	No
	565	Split	No
Package quantity	10		
Colour	black		
Height	8,5 mm		
Wrench size	SW 60		
Thread	M50 × 1,5		

KGM-SUB-D25 gy

Part No.	45108	Connector	D-Sub 25
EAN	4251269311	type	
	215	Split	No
Package quantity	10		
Colour	grey (similar RAL 7035)		
Height	8 mm		
Wrench size	SW 60		
Thread	M50 × 1,5		

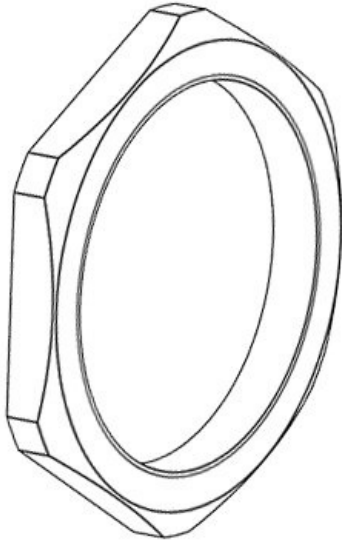


KGM-SUB-D25 bk

Part No.	45110	Connector	D-Sub 25
EAN	4251269311	type	
	239	Split	No
Package quantity	10		
Colour	black		
Height	8 mm		
Wrench size	SW 60		
Thread	M50 × 1,5		

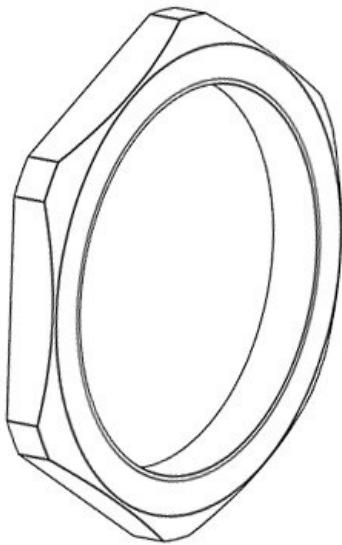


KGM 63 gy



Part No.	52278	Connector	universal
EAN	4251269315	type	
	510	Split	No
Package quantity	5		
Colour	grey (similar RAL 7035)		
Height	8,5 mm		
Wrench size	SW 75		
Thread	M63 × 1,5		

KGM 63 bk



Part No.	52288	Connector	universal
EAN	4251269315	type	
	572	Split	No
Package quantity	5		
Colour	black		
Height	8,5 mm		
Wrench size	SW 75		
Thread	M63 × 1,5		

KGM 75 bk

Part No.	52289	Connector	universal
EAN	4251269316	type	
	999	Split	No
Package quantity	10		
Colour	black		
Height	8,5 mm		
Wrench size	SW 85		
Thread	M75 x 1,5		

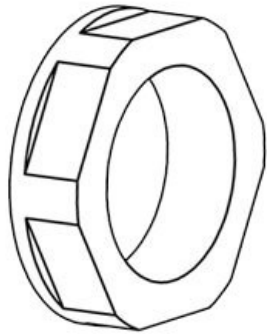


KGM 85 bk

Part No.	52290	Split	No
EAN	4251269317		
	002		
Package quantity	10		
Colour	black		
Height	10 mm		
Wrench size	SW 100		
Connector type	universal		



GMT 16



Part No. **31105** Split **Yes**
EAN **4251269300011**
Package quantity **10**
Height **8 mm**
Wrench size **SW 19**
Thread **M16 × 1,5**
Connector type **universal**

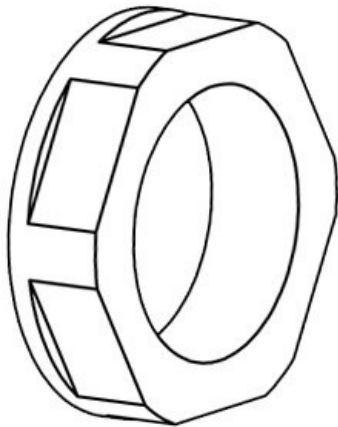
GMT 20



Part No. **31110** Split **Yes**
EAN **4251269300028**
Package quantity **10**
Height **9 mm**
Wrench size **SW 27**
Thread **M20 × 1,5**
Connector type **universal**

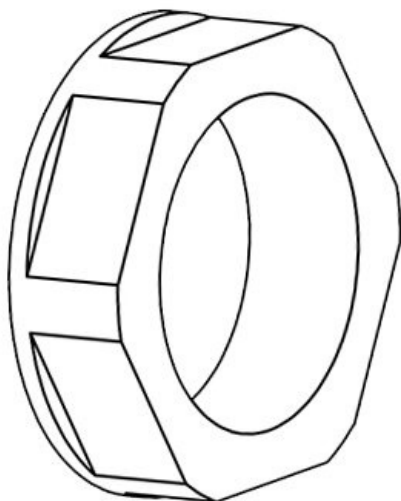
GMT 25

Part No.	31100	Split	Yes
EAN	4251269300004		
Package quantity	10		
Height	9 mm		
Wrench size	SW 32		
Thread	M25 × 1,5		
Connector type	universal		

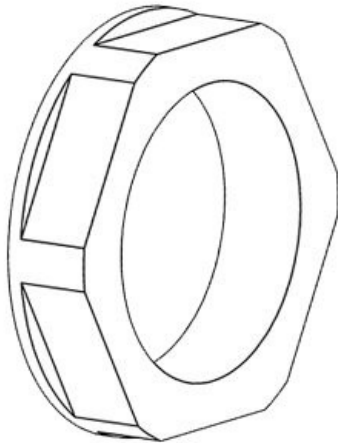


GMT 32

Part No.	31120	Split	Yes
EAN	4251269300035		
Package quantity	10		
Height	12 mm		
Wrench size	SW 40		
Thread	M32 × 1,5		
Connector type	universal		

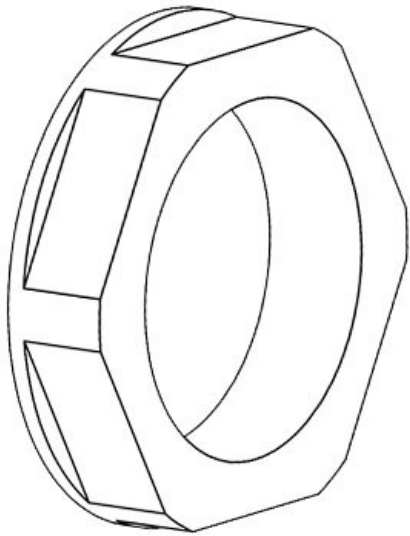


GMT 40



Part No. **31130** Split **Yes**
EAN **4251269300**
042
Package quantity **10**
Height **15 mm**
Wrench size **SW 48**
Thread **M40 × 1,5**
Connector type **universal**

GMT 50



Part No. **31140** Split **Yes**
EAN **4251269300**
059
Package quantity **10**
Height **15 mm**
Wrench size **SW 63**
Thread **M50 × 1,5**
Connector type **universal**