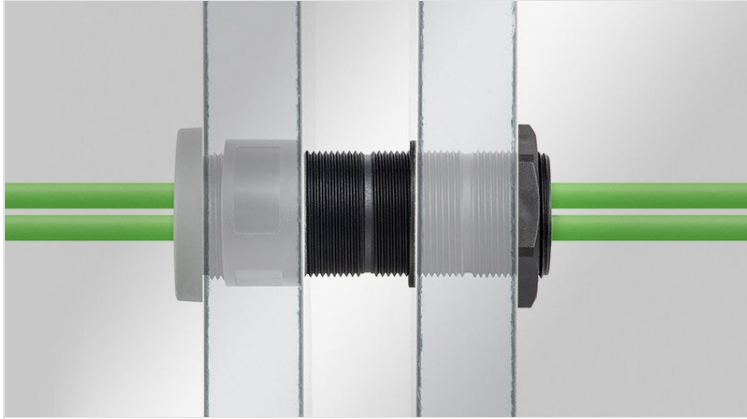


TE | Thread extension

for cable glands and cable entry plates, M25 / M32 / M50 / M63



The icotek [cable glands](#) and [cable entry plates](#) with metric thread are screwed with a locknut during assembly. If the thread lengths are not sufficient, for example when

mounting on sandwich panels or thick concrete walls, icotek offers a practical solution: the icotek thread extension!

The icotek thread extension is available in four sizes (M25, M32, M50, M63) and in three lengths (35 mm, 60 mm, 120 mm) and represents a real innovation in the field of cable management. The different lengths can be flexibly combined or shortened at the designated points. This means that not only very large, but also dimensionally accurate distances can be overcome when routing the cable. Due to their stable construction, almost any number of thread extensions can be screwed together.

Cut-out size: 37 / 55 / 68 mm (standard sizes for hole saws)

Adapter TE-MA

The TE-MA adapter is available as a supplement to the thread extensions, which can be joined together in almost any order. This allows thread extensions of the same diameter to be screwed together in opposite directions so that a cable gland or cable entry can be fitted on both sides. This enables routing and sealing on both sides of the wall.

Cover panel AB-M

Core drills with diameters from 80 mm are very often used to make wall openings in cleanrooms, cold storage rooms, buildings, etc. In order to be able to use the TE thread extension for such wall openings, the AB-M150 cover plates are used. [More information »](#)

(The cable glands / cable entry plates shown are not included in the scope of delivery)

Specifications

Material	Polyamide
Flame class	UL94-V0, self-extinguishing
Operating temperature	-40 C° to 140 C°
Properties	silicone free, halogen free
Mounting options	Fasten with locknut

Advantages & benefits

- Wide range of applications in different industries such as construction, building services, caravans, cleanroom and more.
- Especially suitable for sandwich panels of all wall thicknesses
- IP protection of the cable gland or cable entry plate used remains in place
- Almost endless extension possible
- TE-MA: Use of the thread extension on both sides
- Different thread lengths can be flexibly combined with each other
- Larger lengths can be shortened at the notch between the threads, without damaging the threads
- Milled recess for wrench size for easy tightening of the screw connection
- Fits to all round icotek cable glands and cable entry plates M25 / M32 / M50 / M63

Product types & sizes

TE-M25|35

Part No.	52316	Wrench size	SW 35
EAN	4251269337734	Cut-out size, round	37 mm
Package quantity	5	Thread	M25 × 1,5
Max. cable diameter	18 mm		
Colour	black		
Length	35 mm		
External diameter	29,5 mm		



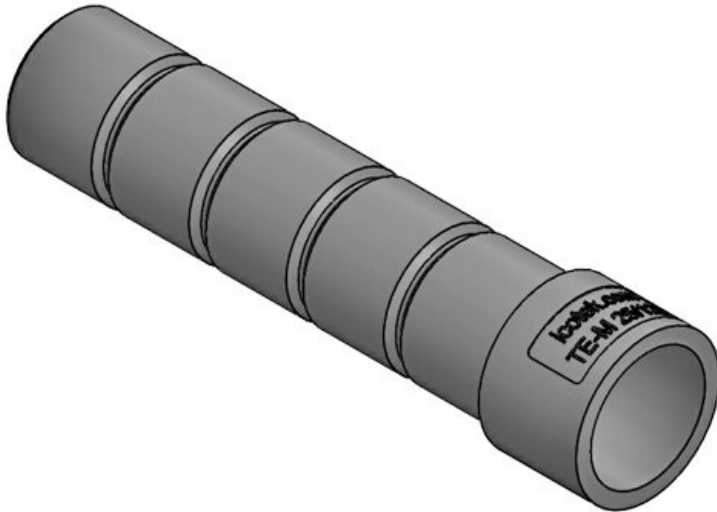
TE-M25|60

Part No.	52317	Wrench size	SW 35
EAN	4251269337741	Cut-out size, round	37 mm
Package quantity	5	Thread	M25 × 1,5
Max. cable diameter	18 mm		
Colour	black		
Length	60 mm		
External diameter	29,5 mm		



TE-M25|120

Part No.	52318	Wrench size	SW 35
EAN	4251269337758	Cut-out size, round	37 mm
Package quantity	5	Thread	M25 × 1,5
Max. cable diameter	18 mm		
Colour	black		
Length	120 mm		
External diameter	29,5 mm		

**TE-M32|35**

Part No.	52300	Wrench size	SW 35
EAN	4251269332449	Cut-out size, round	37 mm
Package quantity	5	Thread	M32 × 1,5
Max. cable diameter	25 mm		
Colour	black		
Length	35 mm		
External diameter	36,5 mm		



TE-M32|60

Part No.	52301	Wrench size	SW 35
EAN	4251269332	Cut-out size, round	37 mm
	456	Thread	M32 × 1,5
Package quantity	5		
Max. cable diameter	25 mm		
Colour	black		
Length	60 mm		
External diameter	36,5 mm		



TE-M32|120

Part No.	52302	Wrench size	SW 35
EAN	4251269332	Cut-out size, round	37 mm
	463	Thread	M32 × 1,5
Package quantity	5		
Max. cable diameter	25 mm		
Colour	black		
Length	120 mm		
External diameter	36,5 mm		



TE-MA 32

Part No.	52305	Wrench size	SW 35
EAN	4251269335	Cut-out size, round	37 mm
	365	Thread	M32 × 1,5
Package quantity	5		
Max. cable diameter	25 mm		
Colour	black		
Length	38 mm		
External diameter	36,5 mm		

**TE-M50|35**

Part No.	52310	Wrench size	SW 53
EAN	4251269332	Cut-out size, round	55 mm
	470	Thread	M50 × 1,5
Package quantity	5		
Max. cable diameter	43 mm		
Colour	black		
Length	35 mm		
External diameter	54,5 mm		



TE-M50|60

Part No.	52311	Wrench size	SW 53
EAN	4251269332	Cut-out size, round	55 mm
	487	Thread	M50 × 1,5
Package quantity	5		
Max. cable diameter	43 mm		
Colour	black		
Length	60 mm		
External diameter	54,5 mm		

**TE-M50|120**

Part No.	52312	Wrench size	SW 53
EAN	4251269332	Cut-out size, round	55 mm
	494	Thread	M50 × 1,5
Package quantity	5		
Max. cable diameter	43 mm		
Colour	black		
Length	120 mm		
External diameter	54,5 mm		



TE-MA 50

Part No.	52307	Wrench size	SW 53
EAN	4251269335372	Cut-out size, round	55 mm
Package quantity	5	Thread	M50 × 1,5
Max. cable diameter	43 mm		
Colour	black		
Length	38 mm		
External diameter	54,5 mm		

**TE-M63|35**

Part No.	52313	Wrench size	SW 66
EAN	4251269333392	Cut-out size, round	68 mm
Package quantity	5	Thread	M63 × 1,5
Max. cable diameter	56 mm		
Colour	black		
Length	35 mm		
External diameter	67,5 mm		



TE-M63|60

Part No.	52314	Wrench size	SW 66
EAN	4251269333	Cut-out size, round	68 mm
	408	Thread	M63 × 1,5
Package quantity	5		
Max. cable diameter	56 mm		
Colour	black		
Length	60 mm		
External diameter	67,5 mm		

**TE-M63|120**

Part No.	52315	Wrench size	SW 66
EAN	4251269333	Cut-out size, round	68 mm
	415	Thread	M63 × 1,5
Package quantity	5		
Max. cable diameter	56 mm		
Colour	black		
Length	120 mm		
External diameter	67,5 mm		



Part No.	52308	Wrench size	SW 66
EAN	4251269335389	Cut-out size, round	68 mm
Package quantity	5	Thread	M63 × 1,5
Max. cable diameter	56 mm		
Colour	black		
Length	38 mm		
External diameter	67,5 mm		

