

TUBE

Robust machine luminaire with the highest quality standards / IP67



The TUBE system luminaire provides effective lighting for machinery and equipment, with M12 connectors for standardised connection.

The luminaire is easy to mount, rotates and offers a circuit-independent service life of 50,000 operating hours.

Depending on the application, you can choose different materials for the tubes: the TUBE is available in chemical-resistant borosilicate glass and in impact-resistant polycarbonate.

Fluctuating temperatures, oil, water or various chemicals therefore affect neither the luminosity nor the service life.

IP67

RoHS
compliant

REACH
COMPLIANCE

Made in
Germany

CE

UK
CA

IK07

IK08

Borrow a sample now



Specifications

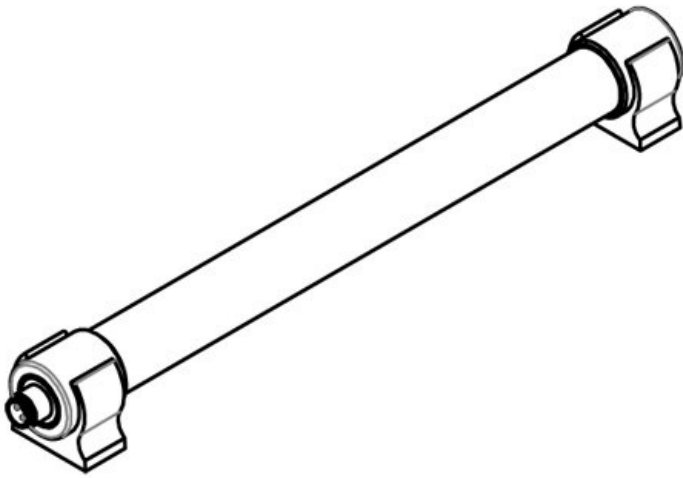
IP rating (EN 60529)	IP67
Protection class	III (Protective extra-low voltage)
Material	Tube: Polycarbonate Tube: Borosilicate glass End caps: Stainless steel
Flame class	
Operating temperature	-20 C° to 50 C°
Mounting options	Snap-in

Advantages & benefits

- Chemical-resistant borosilicate glass or impact-resistant polycarbonate tube
- Protection class IP67
- Completely maintenance-free product
- High energy efficiency thanks to High Power LED
- Compact round design \varnothing 28 mm, suitable for the tightest installation situations
- Easy retrofitting in existing machines
- With rotating LED tube
- Stainless steel end caps
- Cable connection via M12 connector

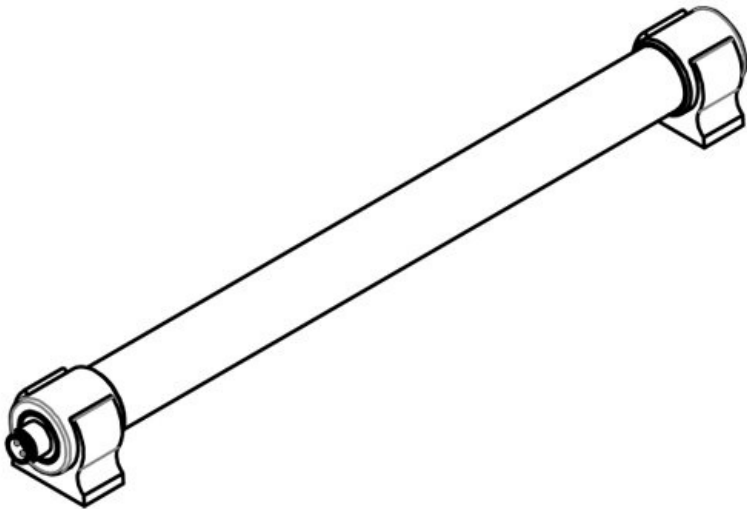
Product types & sizes

TUBE 8 W | 300 mm

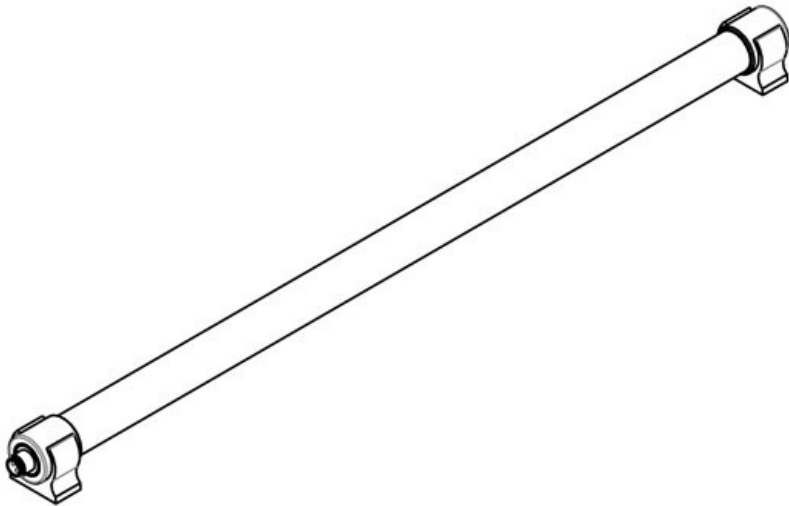


Part No.	81502	End cap diameter	28 mm
EAN	4251269333	Connection possibilities	M12 connector
Package quantity	1	Connector type	M12 flange socket
Length	296,1 mm	Rated power	8 W
Height	36 mm	Operating voltage	24 V, DC
Width	34 mm	Service life	50.000 h
Tube diameter	24 mm	Energy efficiency class	E
		Consumption kWh/1000 h	13
		Colour temperature	5.600 K
		Colour rendering index CRI	>80
		Luminous flux	1.000 lm
		Material tube	Polycarbonate

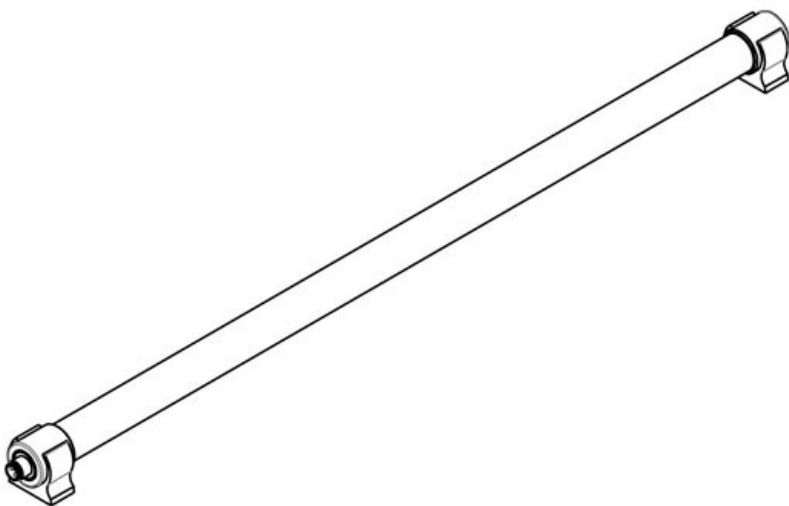
TUBE 11,2 W | 330 mm



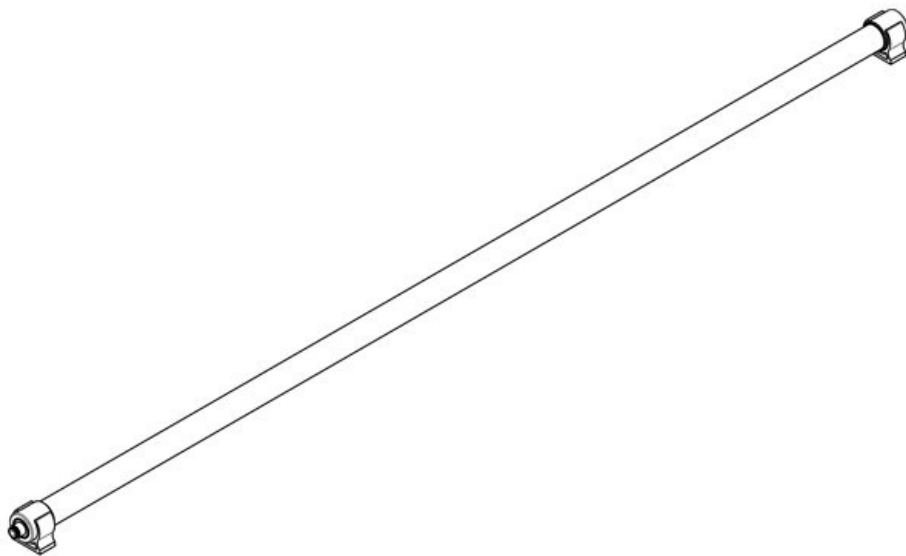
Part No.	81503	End cap diameter	28 mm
EAN	4251269333	Connection possibilities	M12 connector
Package quantity	1	Connector type	M12 flange socket
Length	331,1 mm	Rated power	11,2 W
Height	36 mm	Operating voltage	24 V, DC
Width	34 mm	Service life	50.000 h
Tube diameter	24 mm	Colour temperature	5.000 K
		Colour rendering index CRI	>80
		Luminous flux	1.650 lm
		Material tube	Borosilicate glass

TUBE 13 W | 570 mm

Part No.	81500	End cap diameter	28 mm
EAN	4251269333	Connection possibilities	M12 connector
Package quantity	1	Connector type	M12 flange socket
Length	565,1 mm	Rated power	13 W
Height	36 mm	Operating voltage	24 V, DC ±5%
Width	34 mm	Service life	50.000 h
Tube diameter	24 mm	Energy efficiency class	E
		Consumption kWh/1000 h	13
		Colour temperature	5.600 K
		Colour rendering index CRI	>80
		Luminous flux	1.700 lm
		Material tube	Polycarbonate

TUBE 16,8 W | 615 mm

Part No.	81504	End cap diameter	28 mm
EAN	4251269333	Connection possibilities	M12 connector
Package quantity	1	Connector type	M12 flange socket
Length	615,1 mm	Rated power	16,8 W
Height	36 mm	Operating voltage	24 V, DC ±5%
Width	34 mm	Rated current	1,08 A
Tube diameter	24 mm	Service life	50.000 h
		Colour temperature	5.000 K
		Colour rendering index CRI	>80
		Luminous flux	2.775 lm
		Material tube	Borosilicate glass



Part No.	81501	End cap diameter	28 mm
EAN	4251269333	Connection possibilities	M12 connector
Package quantity	1	Connector type	M12 flange socket
Length	1.074,6 mm	Rated power	26 W
Height	39 mm	Operating voltage	24 V, DC ±5%
Width	30,4 mm	Rated current	1,0 A
Tube diameter	24 mm	Service life	50.000 h
		Energy efficiency class	E
		Consumption kWh/1000 h	13
		Colour temperature	5.600 K
		Colour rendering index CRI	>80
		Luminous flux	3.400 lm
		Material tube	Polycarbonate

Connecting cable for TUBE, 5000 mm



Part No.	81530	Material cable sheath	Polyurethane
EAN	4251269333		e
Package quantity	1		
Length connecting cable	5.000 mm		
Connector type	M12 connector, Ferrules		
Operating voltage	24 V DC ±5%		
Colour	black		

Connecting cable for TUBE, 10000 mm

Part No.	81531	Material cable	Polyurethane
EAN	4251269333	sheath	e
	170		
Package quantity	1		
Length connecting cable	10.000 mm		
Connector type	M12 connector, Ferrules		
Operating voltage	24 V DC ±5%		
Colour	black		



Mounting clips TUBE, stainless steel

Part No.	91443	No. of screw	1
EAN	4251269335	holes	
	082	Diam. of screw	6,5 mm
Package quantity	2	holes	
Length	30 mm		
Height	38 mm		
Width	27 mm		
Colour	black		





Part No.	91070	Colour	black
EAN		No. of screw holes	1
Package quantity	1	Diam. of screw holes	4,2 mm
Length	18,4 mm		
Height	34 mm		
Width	34 mm		
End cap diameter	28 mm		