

MF mounting rail supports

for 35 mm top hat DIN rails and 10 × 3 mm bus bars



There are 4 models of supports for mounting bus bars 10 × 3 mm or 35 mm top hat DIN rails.

Various supports are available to provide solutions for different conditions.

A mounting clip is used for fastening the bus bar to the supports. The support has M6 female screw threads to affix the mounting clip of the DIN rail with a M6 screw.

RoHS
compliant

REACH
COMPLIANCE

Specifications

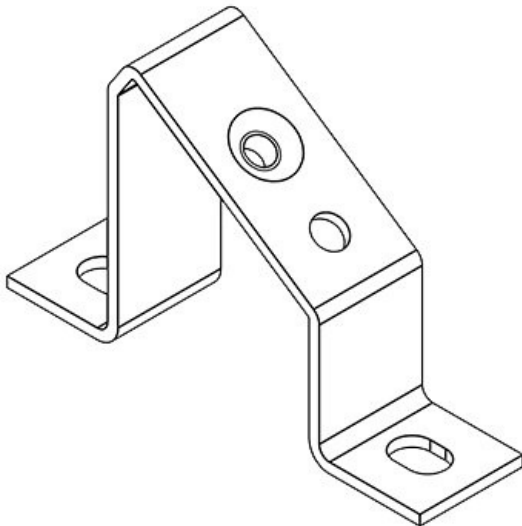
Material Mild steel, galvanically zinc plated

Advantages & benefits

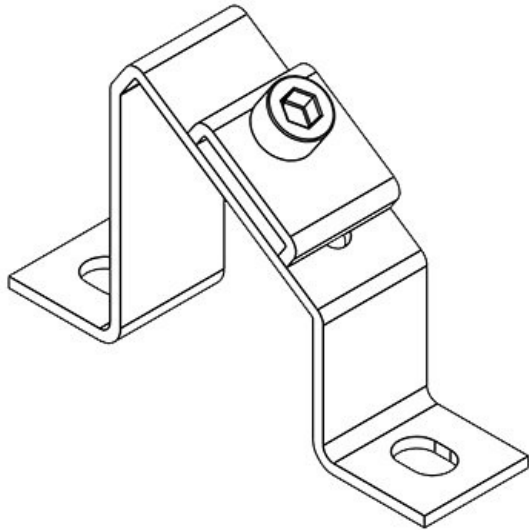
- Wide variety of supports with different sizes and designs
- Simple assembly of 35 mm DIN rails and 10 × 3 mm bus bars
- Support type D provides possibility to affix two 35 mm DIN rails

Product types & sizes

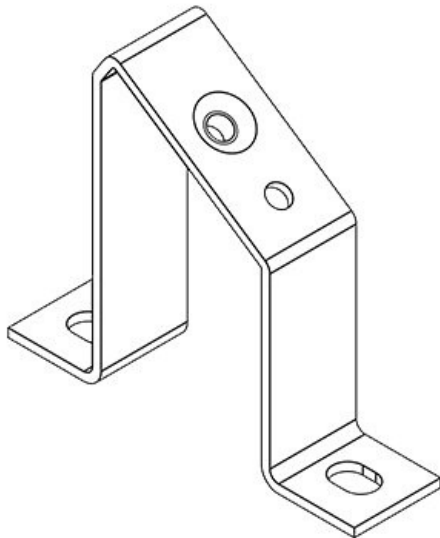
MF-A49



Part No.	36056	Diam. of screw 7 mm
EAN	4251269302	holes
	022	
Package quantity	10	
Length	80 mm	
Width	20 mm	
Height	49 mm	
No. of screw holes	2	



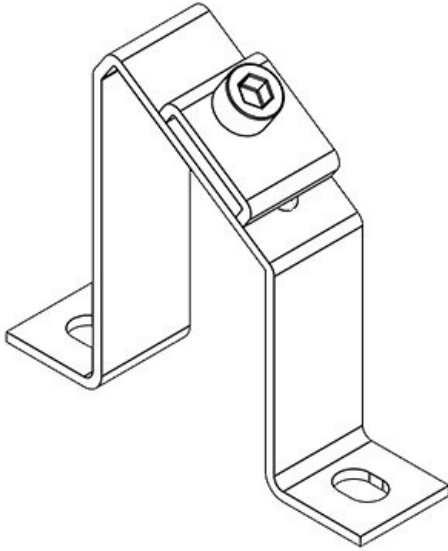
Part No. **36058** Diam. of screw **7 mm**
EAN **4251269302** holes
039
Package quantity **10**
Length **80 mm**
Width **20 mm**
Height **49 mm**
No. of screw **2**
holes



Part No. **36064** Diam. of screw **7 mm**
EAN **4251269302** holes
046
Package quantity **10**
Length **80 mm**
Width **20 mm**
Height **68 mm**
No. of screw **2**
holes

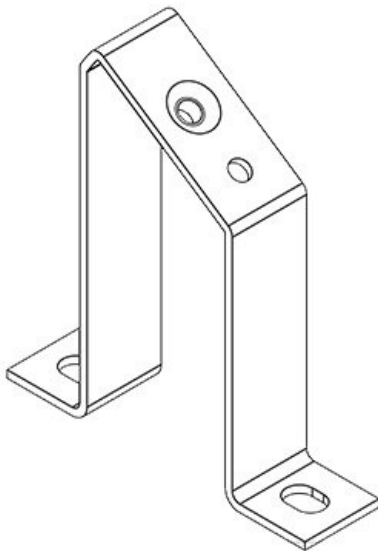
MF-A68 + Clip

Part No. **36066** Diam. of screw **7 mm**
EAN **4251269302** holes
053
Package quantity **10**
Length **80 mm**
Width **20 mm**
Height **68 mm**
No. of screw **2**
holes

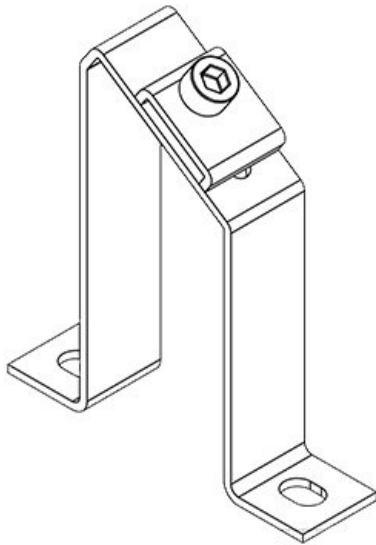


MF-A88

Part No. **36072** Diam. of screw **7 mm**
EAN **4251269302** holes
060
Package quantity **10**
Length **80 mm**
Width **20 mm**
Height **88 mm**
No. of screw **2**
holes

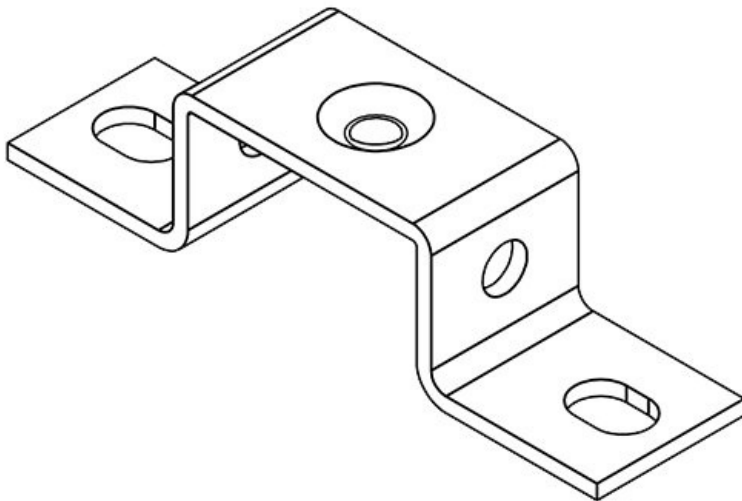


MF-A88 + Clip



Part No. **36074** Diam. of screw **7 mm**
EAN **4251269302** holes
077
Package quantity **10**
Length **80 mm**
Width **20 mm**
Height **88 mm**
No. of screw **2**
holes

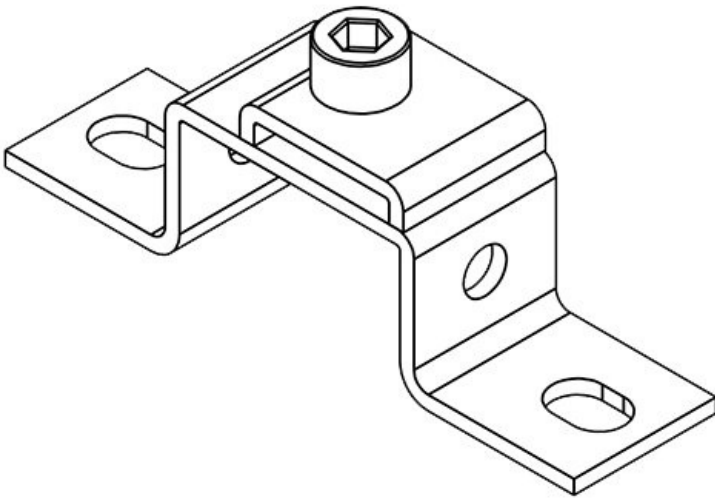
MF-B20



Part No. **36000** Diam. of screw **7 mm**
EAN **4251269301** holes
889
Package quantity **10**
Length **80 mm**
Width **20 mm**
Height **20 mm**
No. of screw **2**
holes

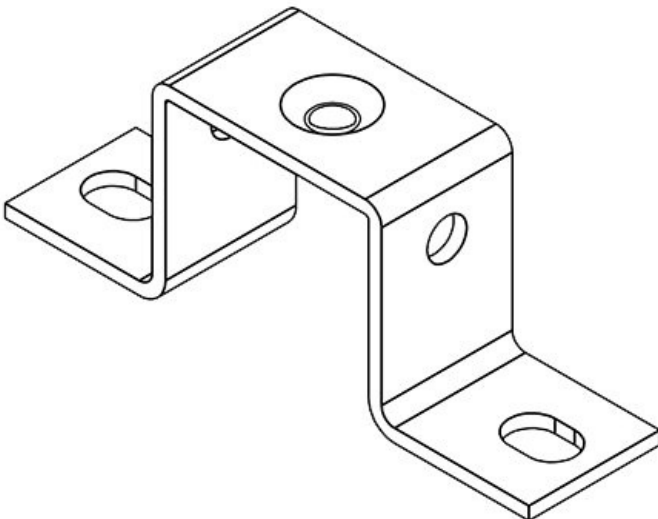
MF-B20 + Clip

Part No. **36002** Diam. of screw **7 mm**
EAN **4251269301** holes
896
Package quantity **10**
Length **80 mm**
Width **20 mm**
Height **20 mm**
No. of screw **2**
holes

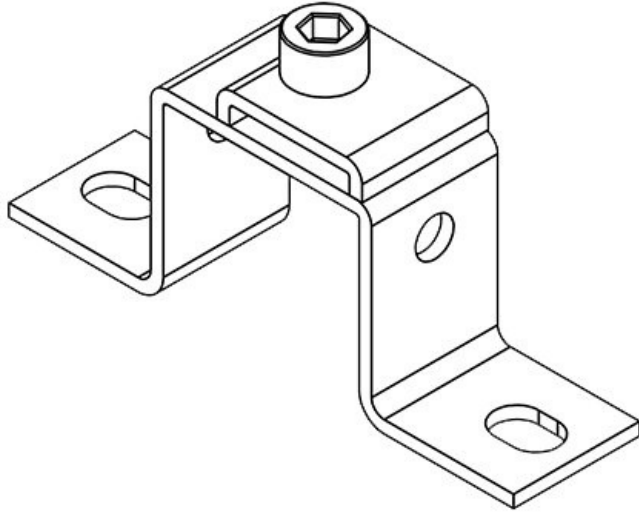


MF-B30

Part No. **36008** Diam. of screw **7 mm**
EAN **4251269301** holes
902
Package quantity **10**
Length **80 mm**
Width **20 mm**
Height **30 mm**
No. of screw **2**
holes

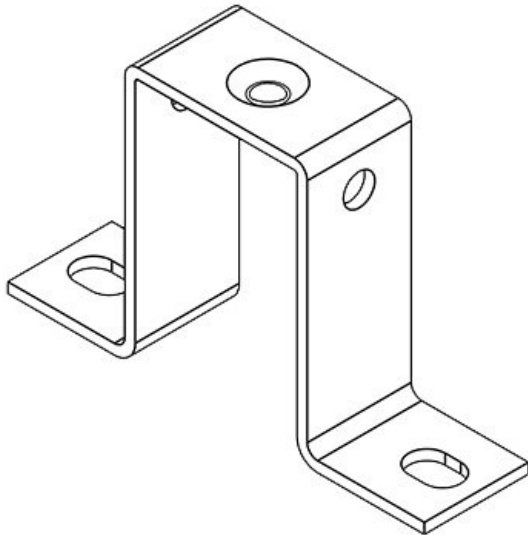


MF-B30 + Clip



Part No. **36010** Diam. of screw **7 mm**
EAN **4251269301** holes
919
Package quantity **10**
Length **80 mm**
Width **20 mm**
Height **30 mm**
No. of screw **2**
holes

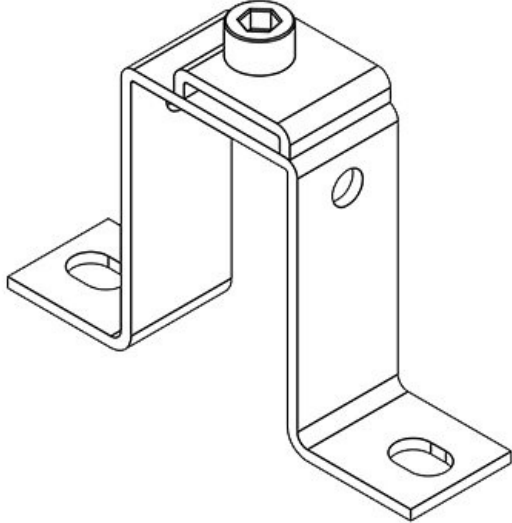
MF-B50



Part No. **36016** Diam. of screw **7 mm**
EAN **4251269301** holes
926
Package quantity **10**
Length **80 mm**
Width **20 mm**
Height **50 mm**
No. of screw **2**
holes

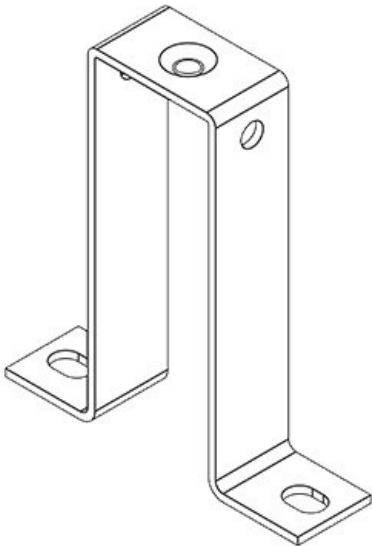
MF-B50 + Clip

Part No. **36018** Diam. of screw **7 mm**
EAN **4251269301** holes
933
Package quantity **10**
Length **80 mm**
Width **20 mm**
Height **50 mm**
No. of screw **2**
holes

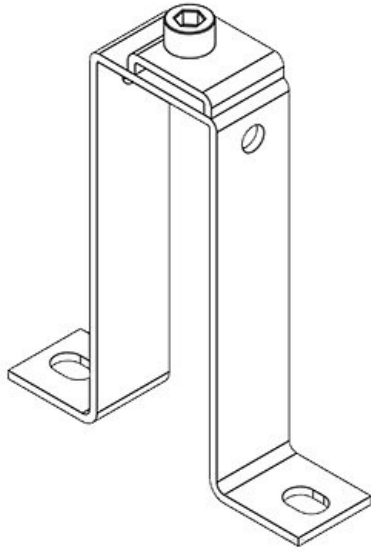


MF-B90

Part No. **36024** Diam. of screw **7 mm**
EAN **4251269301** holes
940
Package quantity **10**
Length **80 mm**
Width **20 mm**
Height **90 mm**
No. of screw **2**
holes

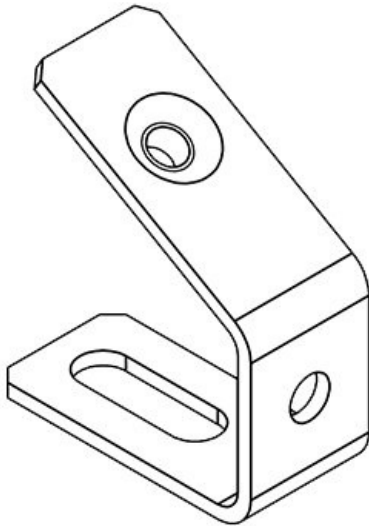


MF-B90 + Clip



Part No. **36026** Diam. of screw **7 mm**
EAN **4251269301** holes
957
Package quantity **10**
Length **80 mm**
Width **20 mm**
Height **90 mm**
No. of screw **2**
holes

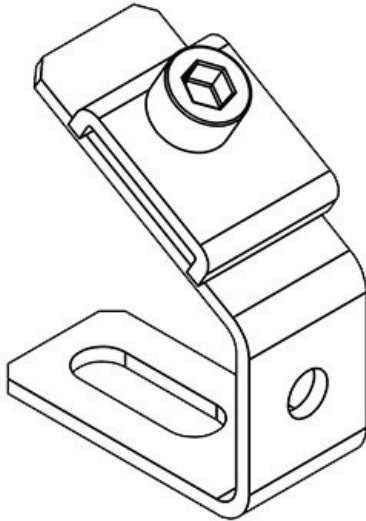
MF-C40



Part No. **36032** Diam. of screw **7 mm**
EAN **4251269301** holes
964
Package quantity **10**
Length **40 mm**
Width **18 mm**
Height **40 mm**
No. of screw **1**
holes

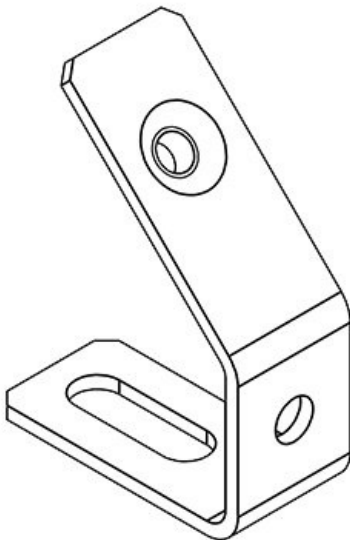
MF-C40 + Clip

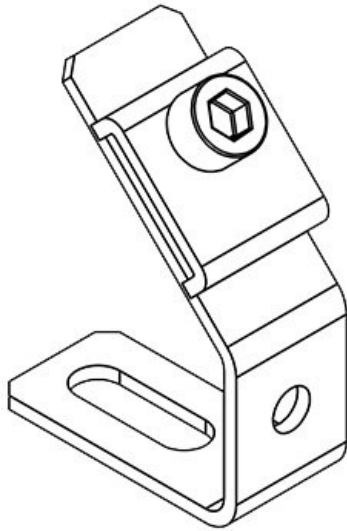
Part No. **36034** Diam. of screw **7 mm**
EAN **4251269301** holes
971
Package quantity **10**
Length **40 mm**
Width **18 mm**
Height **40 mm**
No. of screw **1**
holes



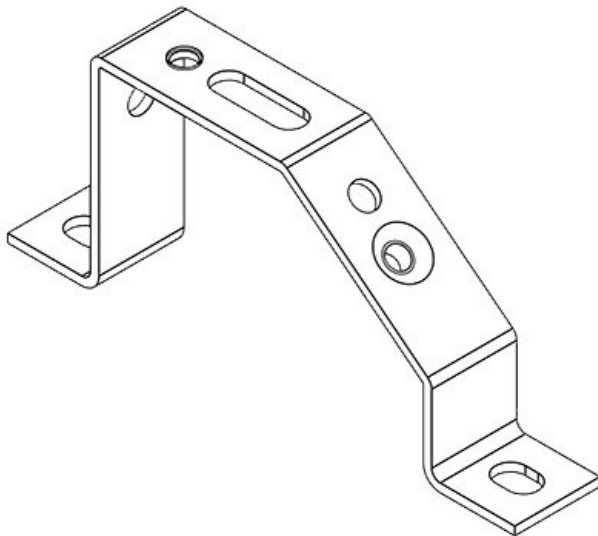
MF-C53

Part No. **36040** Diam. of screw **7 mm**
EAN **4251269301** holes
988
Package quantity **10**
Length **40 mm**
Width **18 mm**
Height **53 mm**
No. of screw **1**
holes





Part No. **36042** Diam. of screw **7 mm**
EAN **4251269301** holes
995
Package quantity **10**
Length **40 mm**
Width **18 mm**
Height **53 mm**
No. of screw **1**
holes



Part No. **36048** Diam. of screw **7 mm**
EAN **4251269302** holes
008
Package quantity **10**
Length **120 mm**
Width **20 mm**
Height **49 mm**
No. of screw **2**
holes

Part No.	36050	Diam. of screw	7 mm
EAN	4251269302	holes	
	015		
Package quantity	10		
Length	120 mm		
Width	20 mm		
Height	49 mm		
No. of screw holes	2		

