

MB earthing tapes

made of flexible E-Cu stranded wires with connecting end pads



Manufactured with highly flexible E-Cu stranded wires with connecting end pads made of tinned copper strips.

The minimum transition and connecting resistance makes them perfectly suitable for use as earthing tapes.

Earthing Tapes are available with M4, M5, M6, M8 or M10 connections and in some sizes with both connection sizes combined.

The earthing tapes are also available with green and yellow shrink sleeve (MB-GG). This provides clear visual colour identification.

UL Product iQ: [Download PDF](#)

(except all MB-GG as well as part no. 32868 / 32870 / 32872)



RoHS compliant



Cross-section	Current load
6 mm ²	67 - 80 A
10 mm ²	89 - 106 A
16 mm ²	132 - 157 A
25 mm ²	177 - 210 A
35 mm ²	230 - 275 A
50 mm ²	280 - 350 A
70 mm ²	338 - 403 A

Specifications

Material	Cu-ETP Shrink sleeve: Polyolefin
Mounting options	Screw type mounting

Advantages & Benefits

- Available in a variety of lengths and cross-sections
- Low impedances
- UL listed

Product Types & Sizes

MB 6 C-T 100 M4	Part No.	32695	Height	2 mm
	EAN	4251269324253	Hole size	M4
	Package quantity	1	Cross-section	6 mm²
	Length	100 mm	Current load	67 - 80 A
	Length L1	14 mm		
	Length L2	113 mm		
	Width	10 mm		

MB 6 C-T 100 M6	Part No.	32700	Height	2 mm
	EAN	4251269301407	Hole size	M6
	Package quantity	1	Cross-section	6 mm²
	Length	100 mm	Current load	67 - 80 A
	Length L1	14 mm		
	Length L2	113 mm		
	Width	10 mm		

MB 10 C-T 100 M6+M4

Part No.	39711	Height	3 mm
EAN		Hole size	M4/ M6
Package quantity	1	Cross-section	10 mm²
Length	100 mm	Current load	89 - 106 A
Length L1	22 mm		
Length L2	120 mm		
Width	16 mm		

MB 10 C-T 100 M6

Part No.	32730	Height	3 mm
EAN	4251269301476	Hole size	M6
Package quantity	1	Cross-section	10 mm²
Length	100 mm	Current load	89 - 106 A
Length L1	22 mm		
Length L2	120 mm		
Width	16 mm		

MB 10 C-T 100 M8

Part No.	32731	Height	3 mm
EAN	4251269301483	Hole size	M8
Package quantity	1	Cross-section	10 mm²
Length	100 mm	Current load	89 - 106 A
Length L1	22 mm		
Length L2	120 mm		
Width	16 mm		

MB 16 C-T 100 M6

Part No.	32760	Height	3 mm
EAN	4251269301605	Hole size	M6
Package quantity	1	Cross-section	16 mm²
Length	100 mm	Current load	132 - 157 A
Length L1	22 mm		
Length L2	120 mm		
Width	16 mm		

MB 16 C-T 100 M6+M8

Part No.	32758	Height	3 mm
EAN	4251269322099	Hole size	M6/ M8
Package quantity	1	Cross-section	16 mm²
Length	100 mm	Current load	132 - 157 A
Length L1	22 mm		
Length L2	120 mm		
Width	16 mm		

MB 16 C-T 100 M8

Part No.	32761	Height	3 mm
EAN	4251269301612	Hole size	M8
Package quantity	1	Cross-section	16 mm²
Length	100 mm	Current load	132 - 157 A
Length L1	22 mm		
Length L2	120 mm		
Width	16 mm		

MB 16 C-T 100 M10

Part No.	32759	Height	3 mm
EAN	4251269322303	Hole size	M10
Package quantity	1	Cross-section	16 mm²
Length	100 mm	Current load	132 - 157 A
Length L1	22 mm		
Length L2	120 mm		
Width	16 mm		

MB 25 C-T 100 M10

Part No.	32800	Height	4 mm
EAN	4251269301766	Hole size	M10
Package quantity	1	Cross-section	25 mm²
Length	100 mm	Current load	177 - 210 A
Length L1	22 mm		
Length L2	123 mm		
Width	21 mm		

MB 6 C-T 150 M4

Part No.	39710	Height	3 mm
EAN		Hole size	M4
Package quantity	1	Cross-section	6 mm²
Length	150 mm	Current load	67 - 80 A
Length L1	14 mm		
Length L2	163 mm		
Width	10 mm		

MB 6 C-T 150 M6

Part No.	32701	Height	2 mm
EAN	4251269301414	Hole size	M6
Package quantity	1	Cross-section	6 mm²
Length	150 mm	Current load	67 - 80 A
Length L1	14 mm		
Length L2	163 mm		
Width	10 mm		

MB 10 C-T 150 M5

Part No.	32709	Height	3 mm
EAN	4251269322297	Hole size	M5
Package quantity	1	Cross-section	10 mm²
Length	150 mm	Current load	89 - 106 A
Length L1	22 mm		
Length L2	170 mm		
Width	16 mm		

MB 10 C-T 150 M5+M6

Part No.	32746	Height	3 mm
EAN	4251269322082	Hole size	M5/ M6
Package quantity	1	Cross-section	10 mm²
Length	150 mm	Current load	89 - 106 A
Length L1	22 mm		
Length L2	170 mm		
Width	16 mm		

MB 10 C-T 150 M8

Part No.	32732	Height	3 mm
EAN	4251269301490	Hole size	M8
Package quantity	1	Cross-section	10 mm²
Length	150 mm	Current load	89 - 106 A
Length L1	22 mm		
Length L2	170 mm		
Width	16 mm		

MB 16 C-T 150 M6

Part No.	32762	Height	3 mm
EAN	4251269301629	Hole size	M6
Package quantity	1	Cross-section	16 mm²
Length	150 mm	Current load	132 - 157 A
Length L1	22 mm		
Length L2	170 mm		
Width	16 mm		

MB 16 C-T 150 M8

Part No.	32763	Height	3 mm
EAN	4251269301636	Hole size	M8
Package quantity	1	Cross-section	16 mm²
Length	150 mm	Current load	132 - 157 A
Length L1	22 mm		
Length L2	170 mm		
Width	16 mm		

MB 25 C-T 150 M10

Part No.	32801	Height	4 mm
EAN	4251269301773	Hole size	M10
Package quantity	1	Cross-section	25 mm²
Length	150 mm	Current load	177 - 210 A
Length L1	22 mm		
Length L2	173 mm		
Width	21 mm		

MB 50 C-T 150 M10

Part No.	32847	Height	5 mm
EAN	4251269322198	Hole size	M10
Package quantity	1	Cross-section	50 mm²
Length	150 mm	Current load	280 - 350 A
Length L1	25 mm		
Length L2	177 mm		
Width	26 mm		

MB 6 C-T 200 M4

Part No.	32707	Height	2 mm
EAN	4251269322273	Hole size	M4
Package quantity	1	Cross-section	6 mm²
Length	200 mm	Current load	67 - 80 A
Length L1	14 mm		
Length L2	213 mm		
Width	10 mm		

MB 6 C-T 200 M6

Part No.	32702	Height	2 mm
EAN	4251269301421	Hole size	M6
Package quantity	1	Cross-section	6 mm²
Length	200 mm	Current load	67 - 80 A
Length L1	14 mm		
Length L2	213 mm		
Width	10 mm		

MB 10 C-T 200 M5

Part No.	32744	Height	3 mm
EAN	4251269322266	Hole size	M5
Package quantity	1	Cross-section	10 mm²
Length	200 mm	Current load	89 - 106 A
Length L1	22 mm		
Length L2	220 mm		
Width	16 mm		

MB 10 C-T 200 M6

Part No.	32733	Height	3 mm
EAN	4251269301506	Hole size	M6
Package quantity	1	Cross-section	10 mm²
Length	200 mm	Current load	89 - 106 A
Length L1	22 mm		
Length L2	220 mm		
Width	16 mm		

MB 10 C-T 200 M6+M8

Part No.	32741	Height	3 mm
EAN	4251269301575	Hole size	M6/ M8
Package quantity	1	Cross-section	10 mm²
Length	200 mm	Current load	89 - 106 A
Length L1	22 mm		
Length L2	220 mm		
Width	16 mm		

MB 10 C-T 200 M8

Part No.	32734	Height	3 mm
EAN	4251269301513	Hole size	M8
Package quantity	1	Cross-section	10 mm²
Length	200 mm	Current load	89 - 106A
Length L1	22 mm		
Length L2	220 mm		
Width	16 mm		

MB 16 C-T 200 M5+M6

Part No.	32776	Height	3 mm
EAN	4251269322105	Hole size	M5/ M6
Package quantity	1	Cross-section	16 mm²
Length	200 mm	Current load	132 - 157 A
Length L1	22 mm		
Length L2	220 mm		
Width	16 mm		

MB 16 C-T 200 M6

Part No.	32764	Height	3 mm
EAN	4251269301643	Hole size	M6
Package quantity	1	Cross-section	16 mm²
Length	200 mm	Current load	132 - 157 A
Length L1	22 mm		
Length L2	220 mm		
Width	16 mm		

MB 16 C-T 200 M6+M8

Part No.	32773	Height	3 mm
EAN	4251269301735	Hole size	M6/ M8
Package quantity	1	Cross-section	16 mm²
Length	200 mm	Current load	132 - 157 A
Length L1	22 mm		
Length L2	220 mm		
Width	16 mm		

MB 16 C-T 200 M8

Part No.	32765	Height	3 mm
EAN	4251269301650	Hole size	M8
Package quantity	1	Cross-section	16 mm²
Length	200 mm	Current load	132 - 157 A
Length L1	22 mm		
Length L2	220 mm		
Width	16 mm		

MB 25 C-T 200 M8

Part No.	32802	Height	4 mm
EAN	4251269301780	Hole size	M8
Package quantity	1	Cross-section	25 mm²
Length	250 mm	Current load	177 - 210 A
Length L1	22 mm		
Length L2	223 mm		
Width	21 mm		

MB 25 C-T 200 M10

Part No.	32803	Height	4 mm
EAN	4251269301797	Hole size	M10
Package quantity	1	Cross-section	25 mm²
Length	200 mm	Current load	177 - 210 A
Length L1	22 mm		
Length L2	223 mm		
Width	21 mm		

MB 35 C-T 200 M10

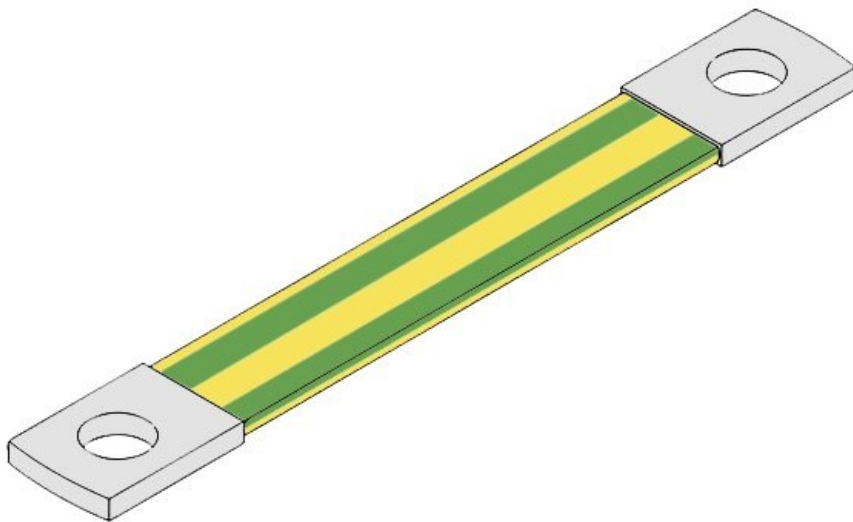
Part No.	32823	Height	4,5 mm
EAN	4251269322167	Hole size	M10
Package quantity	1	Cross-section	35 mm²
Length	200 mm	Current load	230 - 275 A
Length L1	25 mm		
Length L2	227 mm		
Width	26 mm		

MB 50 C-T 200 M10

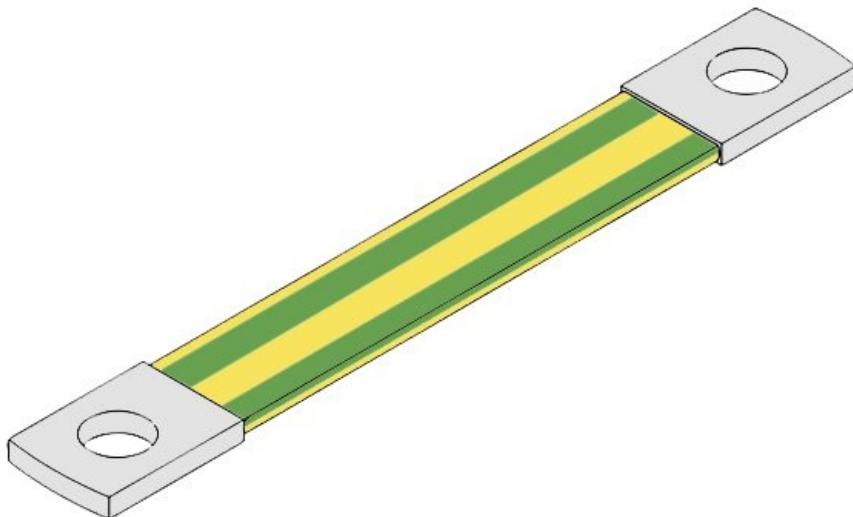
Part No.	32848	Height	5 mm
EAN	4251269322204	Hole size	M10
Package quantity	1	Cross-section	50 mm²
Length	200 mm	Current load	280 - 350 A
Length L1	25 mm		
Length L2	227 mm		
Width	26 mm		

MB 70 C-T 200 M10

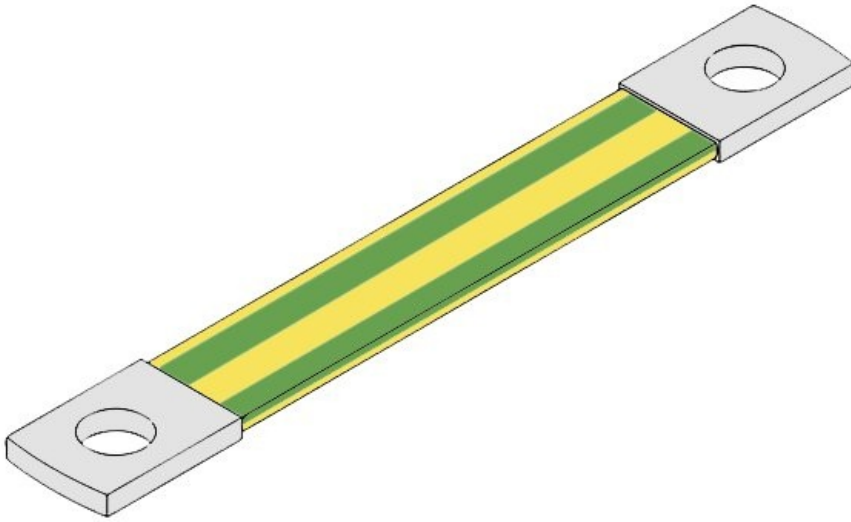
Part No.	32868	Height	6,2 mm
EAN	4251269322235	Hole size	M10
Package quantity	1	Cross-section	70 mm²
Length	200 mm	Current load	338 - 403 A
Length L1	25 mm		
Length L2	227 mm		
Width	26 mm		

MB 6 C-T 200 M4 GG

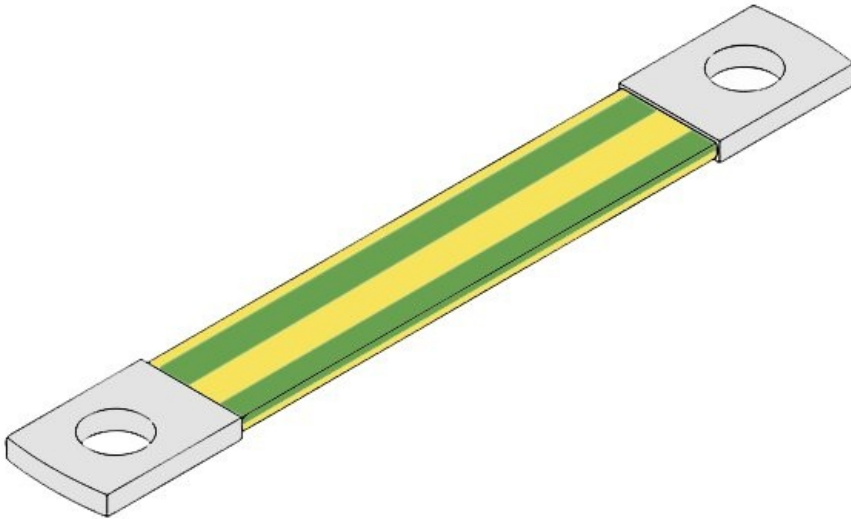
Part No.	32707.800	Height	2 mm
EAN	4251269338	Hole size	M4
Package quantity	687	Cross-section	6 mm²
Length	10	Current load	67 - 80 A
Length L1	200 mm		
Length L2	14 mm		
Width	213 mm		
	10 mm		

MB 6 C-T 200 M6 GG

Part No.	32702.800	Height	2 mm
EAN	4251269338	Hole size	M6
Package quantity	694	Cross-section	6 mm²
Length	10	Current load	67 - 80 A
Length L1	200 mm		
Length L2	14 mm		
Width	213 mm		
	10 mm		

MB 16 C-T 200 M6 GG

Part No.	32764.800	Height	3 mm
EAN	4251269338	Hole size	M6
	649	Cross-section	16 mm²
Package quantity	10	Current load	132 - 157 A
Length	200 mm		
Length L1	22 mm		
Length L2	220 mm		
Width	16 mm		

MB 16 C-T 200 M8 GG

Part No.	32765.800	Height	3 mm
EAN	4251269338	Hole size	M8
	656	Cross-section	16 mm²
Package quantity	10	Current load	132 - 157 A
Length	200 mm		
Length L1	22 mm		
Length L2	220 mm		
Width	16 mm		

MB 6 C-T 250 M6

Part No.	32706
EAN	4251269301469
Package quantity	1
Length	250 mm
Length L1	14 mm
Length L2	263 mm
Width	10 mm

Height	2 mm
Hole size	M6
Cross-section	6 mm²
Current load	67 - 80 A

MB 10 C-T 250 M6+M8

Part No.	32742
EAN	4251269301582
Package quantity	1
Length	250 mm
Length L1	22 mm
Length L2	260 mm
Width	16 mm

Height	3 mm
Hole size	M6/ M8
Cross-section	10 mm²
Current load	89 - 106 A

MB 16 C-T 250 M6+M8

Part No.	32774	Height	3 mm
EAN	4251269301742	Hole size	M6/ M8
Package quantity	1	Cross-section	16 mm²
Length	250 mm	Current load	132 - 157 A
Length L1	22 mm		
Length L2	270 mm		
Width	16 mm		

MB 16 C-T 250 M8

Part No.	32766	Height	3 mm
EAN	4251269301667	Hole size	M8
Package quantity	1	Cross-section	16 mm²
Length	250 mm	Current load	132 - 157 A
Length L1	22 mm		
Length L2	270 mm		
Width	16 mm		

MB 25 C-T 250 M8

Part No.	32804	Height	4 mm
EAN	4251269301803	Hole size	M8
Package quantity	1	Cross-section	25 mm²
Length	250 mm	Current load	177 - 210 A
Length L1	22 mm		
Length L2	273 mm		
Width	21 mm		

MB 25 C-T 250 M10

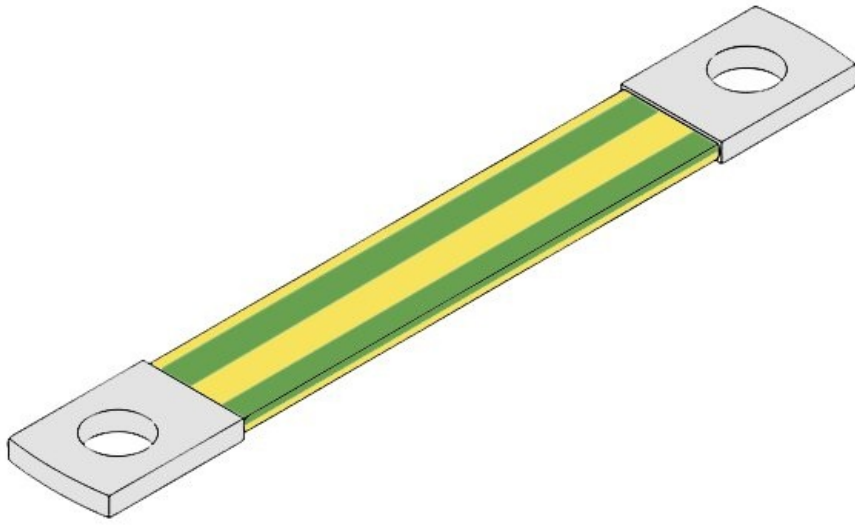
Part No.	32805	Height	4 mm
EAN	4251269301810	Hole size	M10
Package quantity	1	Cross-section	25 mm²
Length	250 mm	Current load	177 - 210 A
Length L1	22 mm		
Length L2	273 mm		
Width	21 mm		

MB 35 C-T 250 M10

Part No.	32824	Height	4,5 mm
EAN	4251269322174	Hole size	M10
Package quantity	1	Cross-section	35 mm²
Length	250 mm	Current load	230 - 275 A
Length L1	25 mm		
Length L2	277 mm		
Width	26 mm		

MB 50 C-T 250 M10

Part No.	32849	Height	5 mm
EAN	4251269322211	Hole size	M10
Package quantity	1	Cross-section	50 mm²
Length	250 mm	Current load	280 - 350 A
Length L1	25 mm		
Length L2	277 mm		
Width	16 mm		



Part No.	32766.800	Height	3 mm
EAN	4251269338	Hole size	M8
	663	Cross-section	16 mm²
Package quantity	10	Current load	132 - 157 A
Length	250 mm		
Length L1	22 mm		
Length L2	270 mm		
Width	16 mm		

MB 6 C-T 300 M6

Part No.	32703	Height	2 mm
EAN	4251269301438	Hole size	M6
Package quantity	1	Cross-section	6 mm²
Length	300 mm	Current load	67 - 80 A
Length L1	14 mm		
Length L2	313 mm		
Width	10 mm		

MB 10 C-T 300 M6

Part No.	32735	Height	3 mm
EAN	4251269301520	Hole size	M6
Package quantity	1	Cross-section	10 mm²
Length	300 mm	Current load	89 - 106 A
Length L1	22 mm		
Length L2	320 mm		
Width	16 mm		

MB 10 C-T 300 M6+M8

Part No.	32743	Height	3 mm
EAN	4251269301599	Hole size	M6/ M8
Package quantity	1	Cross-section	10 mm²
Length	300 mm	Current load	89 - 106 A
Length L1	22 mm		
Length L2	320 mm		
Width	16 mm		

MB 10 C-T 300 M8

Part No.	32736	Height	3 mm
EAN	4251269301537	Hole size	M8
Package quantity	1	Cross-section	10 mm²
Length	300 mm	Current load	89 - 106 A
Length L1	22 mm		
Length L2	320 mm		
Width	16 mm		

MB 16 C-T 300 M6	Part No.	32767	Height	3 mm
	EAN	4251269301674	Hole size	M6
	Package quantity	1	Cross-section	16 mm²
	Length	300 mm	Current load	132 - 157 A
	Length L1	22 mm		
	Length L2	320 mm		
	Width	16 mm		

MB 16 C-T 300 M6+M8	Part No.	32775	Height	3 mm
	EAN	4251269301759	Hole size	M6/ M8
	Package quantity	1	Cross-section	16 mm²
	Length	300 mm	Current load	132 - 157 A
	Length L1	22 mm		
	Length L2	320 mm		
	Width	16 mm		

MB 16 C-T 300 M8	Part No.	32768	Height	3 mm
	EAN	4251269301681	Hole size	M8
	Package quantity	1	Cross-section	16 mm²
	Length	300 mm	Current load	132 - 157 A
	Length L1	22 mm		
	Length L2	320 mm		
	Width	16 mm		

MB 25 C-T 300 M6	Part No.	32816	Height	4 mm
	EAN	4251269333187	Hole size	M6
	Package quantity	1	Cross-section	25 mm²
	Length	300 mm	Current load	177 - 210 A
	Length L1	22 mm		
	Length L2	323 mm		
	Width	21 mm		

MB 25 C-T 300 M8	Part No.	32806	Height	4 mm
	EAN	4251269301827	Hole size	M8
	Package quantity	1	Cross-section	25 mm²
	Length	300 mm	Current load	177 - 210 A
	Length L1	22 mm		
	Length L2	323 mm		
	Width	21 mm		

MB 25 C-T 300 M8+M10	Part No.	32817	Height	4 mm
	EAN	4251269333194	Hole size	M8/ M10
	Package quantity	1	Cross-section	25 mm²
	Length	300 mm	Current load	177 - 210 A
	Length L1	22 mm		
	Length L2	323 mm		
	Width	21 mm		

MB 25 C-T 300 M10	Part No.	32807	Height	4 mm
	EAN	4251269301834	Hole size	M10
	Package quantity	1	Cross-section	25 mm²
	Length	300 mm	Current load	177 - 210 A
	Length L1	22 mm		
	Length L2	323 mm		
	Width	21 mm		

MB 35 C-T 300 M10

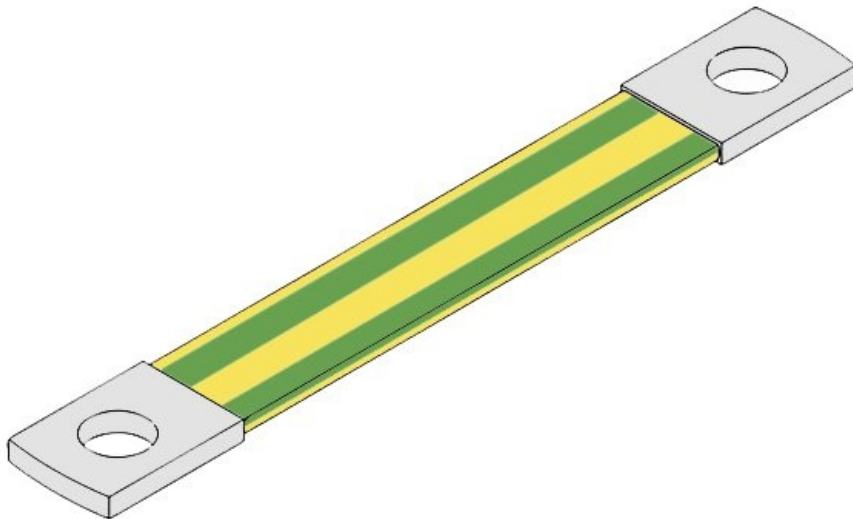
Part No.	32825	Height	4,5 mm
EAN	4251269322181	Hole size	M10
Package quantity	1	Cross-section	35 mm²
Length	300 mm	Current load	230 - 275 A
Length L1	25 mm		
Length L2	327 mm		
Width	26 mm		

MB 50 C-T 300 M10

Part No.	32850	Height	5 mm
EAN	4251269322228	Hole size	M10
Package quantity	1	Cross-section	50 mm²
Length	300 mm	Current load	280 - 350 A
Length L1	25 mm		
Length L2	327 mm		
Width	26 mm		

MB 70 C-T 300 M10

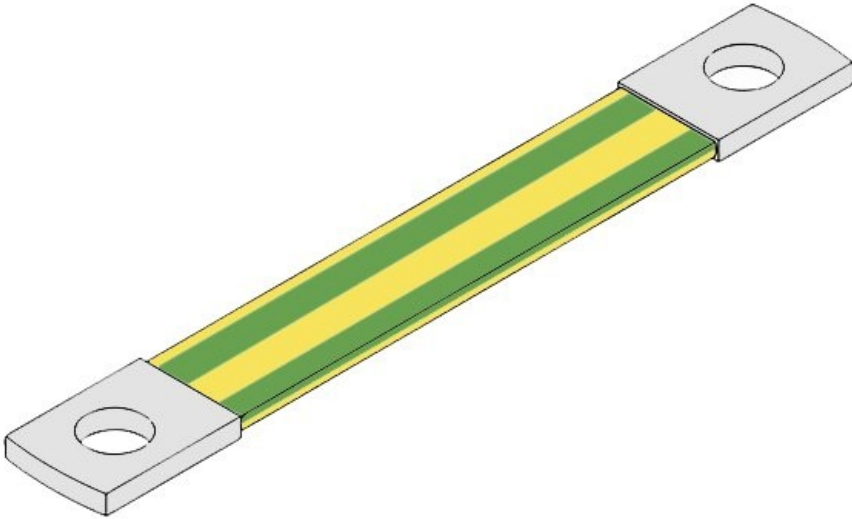
Part No.	32870	Height	6,2 mm
EAN	4251269322242	Hole size	M10
Package quantity	1	Cross-section	70 mm²
Length	300 mm	Current load	338 - 403 A
Length L1	25 mm		
Length L2	327 mm		
Width	26 mm		

MB 16 C-T 300 M6 GG

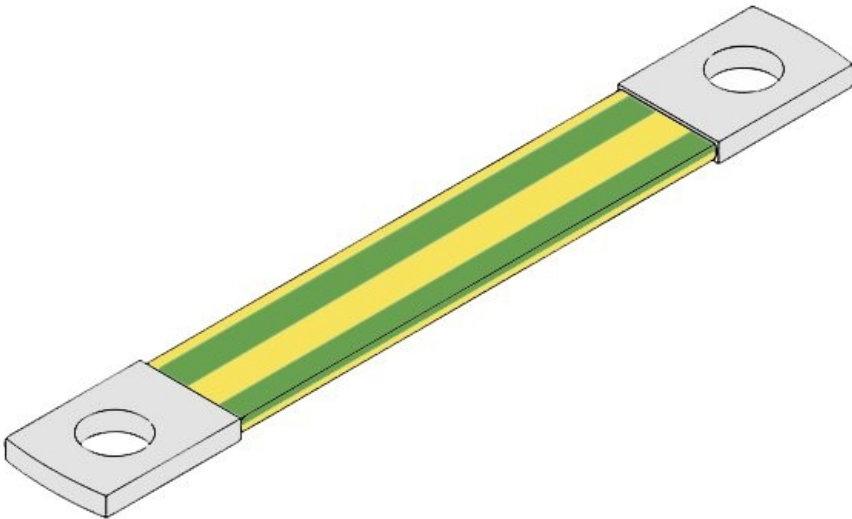
Part No.	32767.800	Height	3 mm
EAN	42512693338	Hole size	M6
Package quantity	10	Cross-section	16 mm²
Length	300 mm	Current load	132 - 157 A
Length L1	22 mm		
Length L2	320 mm		
Width	16 mm		

MB 16 C-T 300 M8 GG

Part No.	32768.800	Height	3 mm
EAN	4251269338	Hole size	M8
	700	Cross-section	16 mm²
Package quantity	10	Current load	132 - 157 A
Length	300 mm		
Length L1	22 mm		
Length L2	320 mm		
Width	16 mm		

**MB 25 C-T 300 M8 GG**

Part No.	32806.800	Height	4 mm
EAN	4251269338	Hole size	M8
	670	Cross-section	25 mm²
Package quantity	10	Current load	177 - 210 A
Length	300 mm		
Length L1	22 mm		
Length L2	323 mm		
Width	21 mm		

**MB 16 C-T 350 M5+M6**

Part No.	32777	Height	3 mm
EAN	4251269322112	Hole size	M5/ M6
Package quantity	1	Cross-section	16 mm²
Length	350 mm	Current load	132 - 157
Length L1	22 mm		
Length L2	370 mm		
Width	16 mm		

MB 16 C-T 350 M8

Part No.	32769	Height	3 mm
EAN	4251269301698	Hole size	M8
Package quantity	1	Cross-section	16 mm²
Length	350 mm	Current load	132 - 157 A
Length L1	22 mm		
Length L2	370 mm		
Width	16 mm		

MB 25 C-T 350 M10

Part No.	32808	Height	4 mm
EAN	4251269301841	Hole size	M10
Package quantity	1	Cross-section	25 mm²
Length	350 mm	Current load	177 - 210 A
Length L1	22 mm		
Length L2	373 mm		
Width	21 mm		

MB 6 C-T 400 M6

Part No.	32704	Height	2 mm
EAN	4251269301445	Hole size	M6
Package quantity	1	Cross-section	6 mm²
Length	400 mm	Current load	67 - 80 A
Length L1	14 mm		
Length L2	413 mm		
Width	10 mm		

MB 10 C-T 400 M4

Part No.	32878	Height	3 mm
EAN	4251269324130	Hole size	M4
Package quantity	1	Cross-section	10 mm²
Length	400 mm	Current load	89 - 106 A
Length L1	22 mm		
Length L2	420 mm		
Width	16 mm		

MB 10 C-T 400 M6

Part No.	32737	Height	3 mm
EAN	4251269301544	Hole size	M6
Package quantity	1	Cross-section	10 mm²
Length	400 mm	Current load	89 - 106 A
Length L1	22 mm		
Length L2	420 mm		
Width	16 mm		

MB 10 C-T 400 M8

Part No.	32738	Height	3 mm
EAN	4251269301551	Hole size	M8
Package quantity	1	Cross-section	10 mm²
Length	400 mm	Current load	89 - 106 A
Length L1	22 mm		
Length L2	420 mm		
Width	16 mm		

MB 16 C-T 400 M6

Part No.	32873	Height	3 mm
EAN	4251269322129	Hole size	M6
Package quantity	1	Cross-section	16 mm²
Length	400 mm	Current load	132 - 157 A
Length L1	22 mm		
Length L2	420 mm		
Width	16 mm		

MB 16 C-T 400 M8	Part No.	32770	Height	3 mm
	EAN	4251269301704	Hole size	M8
	Package quantity	1	Cross-section	16 mm²
	Length	400 mm	Current load	132 - 157 A
	Length L1	22 mm		
	Length L2	420 mm		
	Width	16 mm		

MB 25 C-T 400 M8	Part No.	32809	Height	4 mm
	EAN	4251269301858	Hole size	M8
	Package quantity	1	Cross-section	25 mm²
	Length	400 mm	Current load	177 - 210 A
	Length L1	22 mm		
	Length L2	423 mm		
	Width	21 mm		

MB 35 C-T 400 M8	Part No.	32886	Height	4,5 mm
	EAN	4251269335976	Hole size	M8
	Package quantity	1	Cross-section	35 mm²
	Length	400 mm	Current load	230 - 275 A
	Length L1	22 mm		
	Length L2	423 mm		
	Width	26 mm		

MB 6 C-T 500 M6	Part No.	32705	Height	2 mm
	EAN	4251269301452	Hole size	M6
	Package quantity	1	Cross-section	6 mm²
	Length	500 mm	Current load	67 - 80 A
	Length L1	14 mm		
	Length L2	513 mm		
	Width	10 mm		

MB 10 C-T 500 M6	Part No.	32739	Height	3 mm
	EAN	4251269301568	Hole size	M6
	Package quantity	1	Cross-section	10 mm²
	Length	500 mm	Current load	89 - 106 A
	Length L1	22 mm		
	Length L2	520 mm		
	Width	16 mm		

MB 16 C-T 500 M8	Part No.	32771	Height	3 mm
	EAN	4251269301711	Hole size	M8
	Package quantity	1	Cross-section	16 mm²
	Length	500 mm	Current load	132 - 157 A
	Length L1	22 mm		
	Length L2	520 mm		
	Width	16 mm		

MB 25 C-T 500 M8	Part No.	32810	Height	4 mm
	EAN	4251269301865	Hole size	M8
	Package quantity	1	Cross-section	25 mm²
	Length	500 mm	Current load	177 - 210 A
	Length L1	22 mm		
	Length L2	523 mm		
	Width	21 mm		

MB 25 C-T 500 M10	Part No.	32812	Height	4 mm
	EAN	4251269322143	Hole size	M10
	Package quantity	1	Cross-section	25 mm²
	Length	500 mm	Current load	177 - 210 A
	Length L1	22 mm		
	Length L2	523 mm		
	Width	21 mm		

MB 70 C-T 500 M10	Part No.	32872	Height	6,2 mm
	EAN	4251269322259	Hole size	M10
	Package quantity	1	Cross-section	70 mm²
	Length	500 mm	Current load	338 - 403 A
	Length L1	25 mm		
	Length L2	527 mm		
	Width	26 mm		

MB 16 C-T 600 M8	Part No.	32772	Height	3 mm
	EAN	4251269301728	Hole size	M8
	Package quantity	1	Cross-section	16 mm²
	Length	600 mm	Current load	132 - 157 A
	Length L1	22 mm		
	Length L2	620 mm		
	Width	16 mm		

MB 25 C-T 600 M8	Part No.	32811	Height	4 mm
	EAN	4251269301872	Hole size	M8
	Package quantity	1	Cross-section	25 mm²
	Length	600 mm	Current load	177 - 210 A
	Length L1	22 mm		
	Length L2	623 mm		
	Width	21 mm		

MB 25 C-T 800 M8	Part No.	32815	Height	4 mm
	EAN	4251269322150	Hole size	M8
	Package quantity	1	Cross-section	25 mm²
	Length	800 mm	Current load	177 - 210 A
	Length L1	22 mm		
	Length L2	823 mm		
	Width	21 mm		

MB 16 C-T 1000 M8	Part No.	32778	Height	4 mm
	EAN		Hole size	M8
	Package quantity	1	Cross-section	16 mm²
	Length	1.000 mm	Current load	132 - 157 A
	Length L1	22 mm		
	Length L2	823 mm		
	Width	21 mm		
