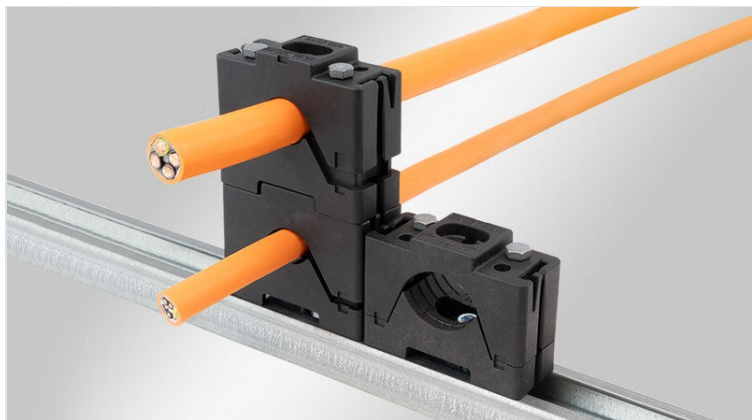


MSMC | Modular stackable cable clamp / cable cleat

for cable diameters 10 - 55 mm



IEC
61914

NFPA
130
STANDARD

HL3
EN 45545-2

EN 61973

UV
ISO 4892-2A

ECOLAB
certified

IK07

RoHS
compliant

REACH
COMPLIANCE

Made in
Germany

The modular stackable cable clamp MSMC is used for easy, quick and secure fastening of cables, pipes and other cylindrical components. The variable clamping range is up to 16 mm.

The great advantage of this cable cleat is that it can be easily extended by stacking or baying. By using the CMC30 coupler, different clamping areas can be connected to each other. The MSMC offers a very high level of corrosion protection thanks to the choice of materials for the cable clamps and screws.

The cable cleat consists of an upper and a lower part as well as hexagon head screws. A coupler is used to easily connect several cable clamps together horizontally. The longitudinal and transverse ridges of the support surface serve to absorb torsional and tensile forces. The central mounting point (slotted hole) offers a high degree of flexibility on many surfaces.

For even greater stability and torsion resistance, two long screws can be used for fastening. **This also ensures that the short-circuit strength values specified for MSMC 30-46 and MSMC 44-55 (acc. to IEC 61914) are achieved.**

[Test Report IEC 61914](#)

[VDE Test Report 313501-TL6-1](#)

[VDE Test Report 317845-TL6-1](#)

(Operating temperature acc. to EN 61914: -15 C° to 85 C°)

The cable cleats are available as Set A for lining up and stacking or as Set B for baying. Set B contains a cable clamp (upper and lower part), a coupler and two short hexagon head screws. Set A additionally contains two long hexagon head screws.

The cable clamp can be combined with a sliding nut for optional assembly on the 35 mm / 40 mm C-rail.

In combination with the practical elastic clamp pads, MSMC cable clamps offer expanded and optimised application possibilities. The inserts are very easy to install; they are placed directly onto the upper and lower parts of the MSMC. **Please note:** The use of the inserts changes the clamping range of the cable clamp!

Mounting brackets MBR/MW: Robust system for cable strain relief in the control cabinet, consisting of four retaining brackets and a mounting bracket. The retaining brackets are available to fit all sizes of MSMC cable clamps. The mounting bracket is designed for MSMC 30-46 and 44-55 and is mounted on the base plate. In combination with the KEL-DPF 50 cable entry, even large, heavy cables can be reliably fixed and strain-relieved after being routed through the switch cabinet base.

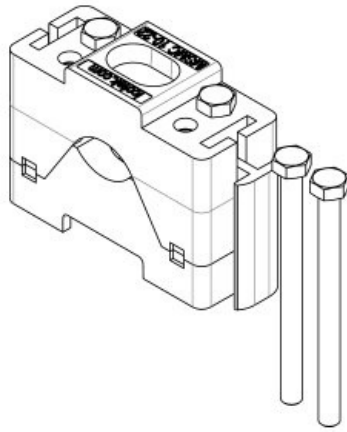
Specifications

Material	Body: Polyamide Screw type mounting: Steel, zinc/nickel passivated (ISO 4017)
Flame class	UL94-V0, self-extinguishing
Operating temperature	-40 C° to 140 C°
Properties	vibration proof, silicone free, halogen free, UV-resistant
Mounting options	Screw type mounting

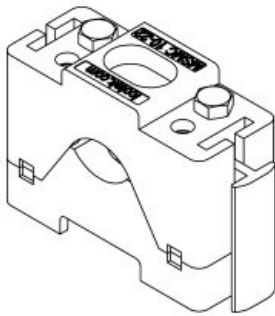
Advantages & Benefits

- Several cable clamps can be bayed or stacked together
- The diameter of the cables can vary up to 16 mm
- Designed for high strain relief
- Suitable for large cable diameters up to 55 mm
- Suitable for large bending radii of rigid cables
- Assembly on surfaces or on the C-rail
- Ridges in the half shells enable the absorption of tensile and torsional forces
- Anti-rotation lock during assembly with two through bolts
- The coupler can be used as a mounting aid for overhead mounting
- Weather-resistant material

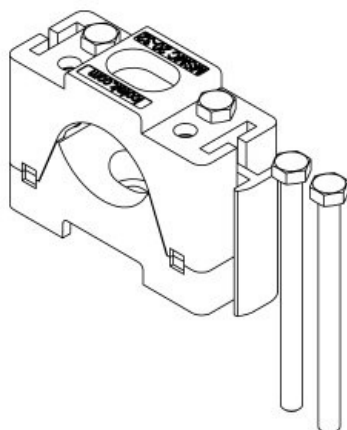
Product Types & Sizes

MSMC 10-22 Set A

Part No.	32400	No. of screw	1
EAN	4251269335	holes	
	860	Diam. of screw	5,2 mm
Package quantity	5	holes	
Max. cable diameter	22 mm	Stackable	Yes
Length	64 mm	Clamping range	10 - 22 mm
Width	26 mm	Clamping range	1 x 10 - 22 mm
Height	47 mm		

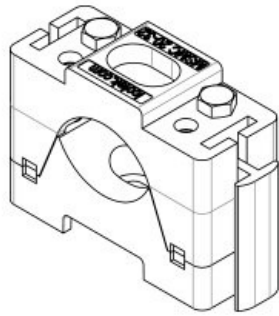
MSMC 10-22 Set B

Part No.	32401	No. of screw	1
EAN	4251269335	holes	
	877	Diam. of screw	5,2 mm
Package quantity	5	holes	
Max. cable diameter	22 mm	Stackable	No
Length	64 mm	Clamping range	10 - 22 mm
Width	26 mm	Clamping range	1 x 10 - 22 mm
Height	47 mm		

MSMC 20-32 Set A

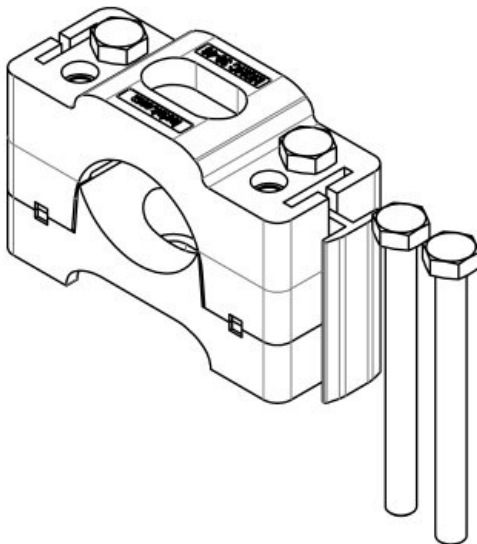
Part No.	32410	No. of screw	1
EAN	4251269335	holes	
	884	Diam. of screw	5,2 mm
Package quantity	5	holes	
Max. cable diameter	32 mm	Stackable	Yes
Length	64 mm	Clamping range	20 - 32 mm
Width	26 mm	Clamping range	1 x 20 - 32 mm
Height	47 mm		

MSMC 20-32 Set B



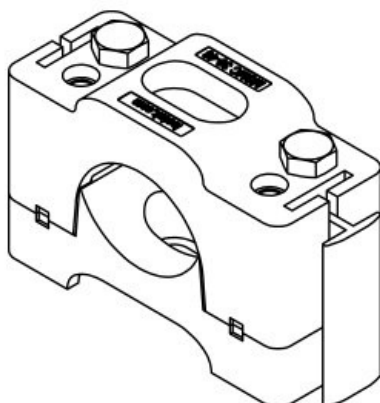
Part No.	32411	No. of screw	1
EAN	4251269335	holes	
	891	Diam. of screw	5,2 mm
Package quantity	5	holes	
Max. cable diameter	32 mm	Stackable	No
Length	64 mm	Clamping range	20 - 32 mm
Width	26 mm	Clamping range	1 x 20 - 32 mm
Height	47 mm		

MSMC 30-46 Set A

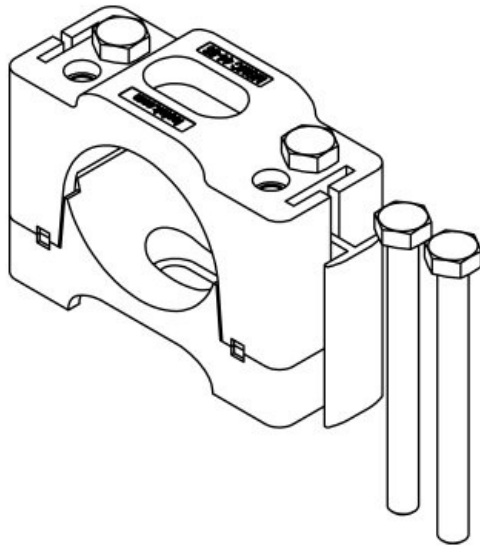


Part No.	32420	No. of screw	1
EAN	4251269334	holes	
	665	Diam. of screw	8,2 mm
Package quantity	5	holes	
Max. cable diameter	46 mm	Stackable	Yes
Length	100 mm	Clamping range	30 - 46 mm
Width	40 mm	Impulse short-circuit current	78.5 kA
Height	64,5 mm	Dynamic short-circuit withstand capability	8.200 N
		Clamping range	1 x 30 - 46 mm

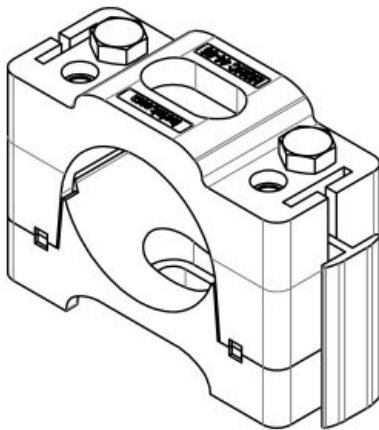
MSMC 30-46 Set B



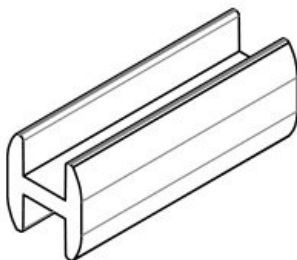
Part No.	32421	No. of screw	1
EAN	4251269334	holes	
	672	Diam. of screw	8,2 mm
Package quantity	5	holes	
Max. cable diameter	46 mm	Stackable	No
Length	100 mm	Clamping range	30 - 46 mm
Width	40 mm	Impulse short-circuit current	78.5 kA
Height	64,5 mm	Dynamic short-circuit withstand capability	8.200 N
		Clamping range	1 x 30 - 46 mm

MSMC 44-55 Set A

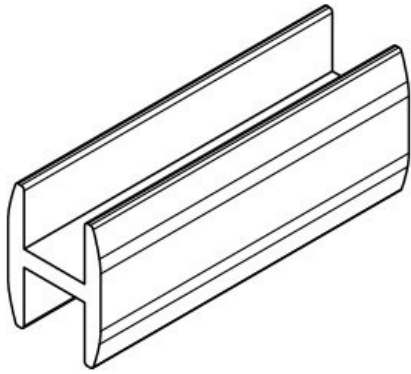
Part No.	32430	No. of screw	1
EAN	4251269334	holes	
	689	Diam. of screw	8,2 mm
Package quantity	5	holes	
Max. cable diameter	55 mm	Stackable	Yes
Length	100 mm	Clamping range	44 - 55 mm
Width	40 mm	Impulse short-circuit current	78.5 kA
Height	72,5 mm	Dynamic short-circuit withstand capability	8.200 N
		Clamping range	1 x 44 - 55 mm

MSMC 44-55 Set B

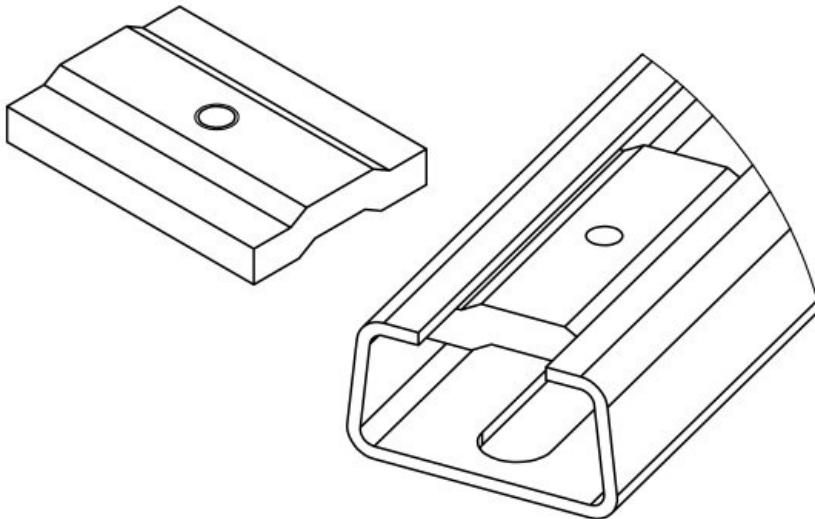
Part No.	32431	No. of screw	1
EAN	4251269334	holes	
	696	Diam. of screw	8,2 mm
Package quantity	5	holes	
Max. cable diameter	55 mm	Stackable	No
Length	100 mm	Clamping range	44 - 55 mm
Width	40 mm	Impulse short-circuit current	78.5 kA
Height	72,5 mm	Dynamic short-circuit withstand capability	8.200 N
		Clamping range	1 x 44 - 55 mm

CMC10 Coupler

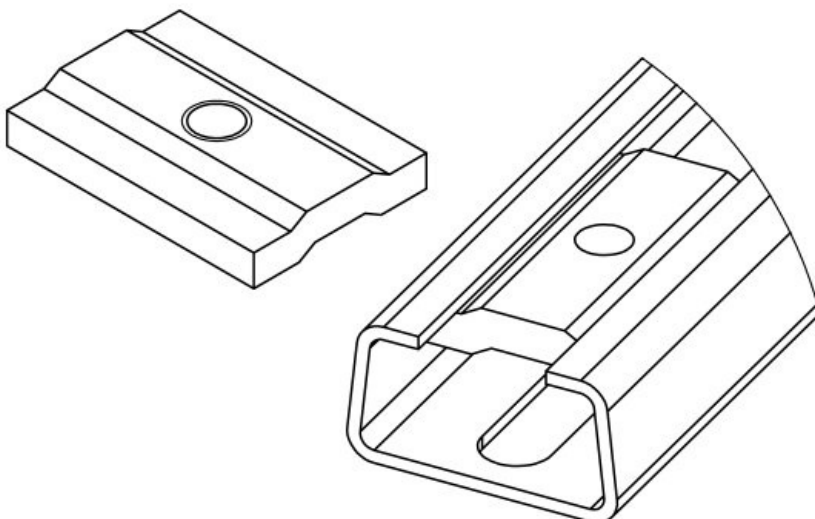
Part No.	32598
EAN	4251269335
	914
Package quantity	10
Suitable for	MSMC 10-22 / MSMC 20-32
Length	12 mm
Width	13,4 mm
Height	35 mm

CMC30 Coupler

Part No. **32599**
 EAN **4251269334**
702
 Package quantity **10**
 Suitable for **MSMC 30-46**
/ MSMC 44-55
 Length **15 mm**
 Width **20 mm**
 Height **50 mm**

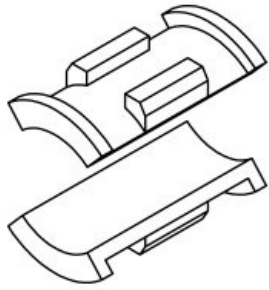
SCMC10 sliding nut

Part No. **32596** No. of screw **1**
 EAN **4251269335** holes
907 Thread **M5 x 0,8**
 Package quantity **5**
 Suitable for **MSMC 10-22**
/ MSMC 20-32
 Length **40 mm**
 Width **25 mm**
 Height **5 mm**

SCMC30 sliding nut

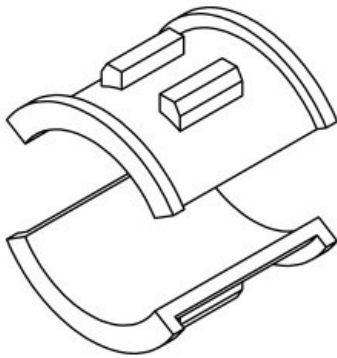
Part No. **32597** No. of screw **1**
 EAN **4251269335** holes
921 Thread **M8 x 1,25**
 Package quantity **5**
 Suitable for **MSMC 30-46**
/ MSMC 44-55
 Length **40 mm**
 Width **25 mm**
 Height **5 mm**

ECP 1 clamp pad



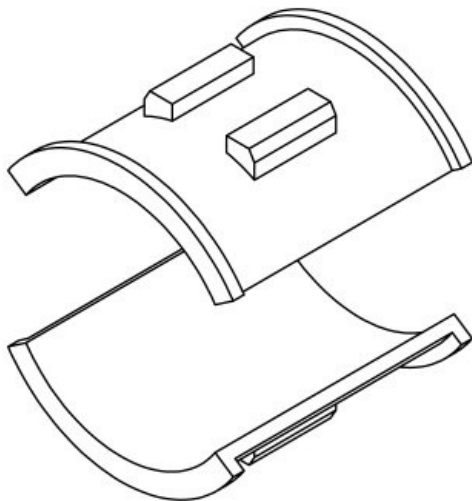
Part No. **32590**
EAN
Package quantity **10**
Suitable for **MSMC 10-22**
Clamping range **1 x 6 - 18 mm**

ECP 2 clamp pad

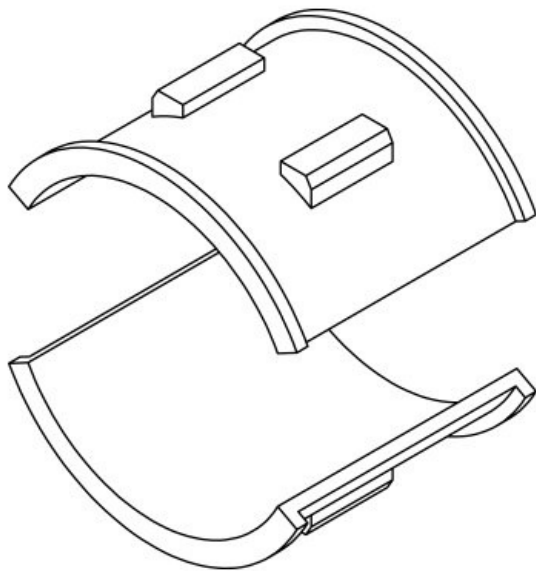


Part No. **32591**
EAN
Package quantity **10**
Suitable for **MSMC 20-32**
Clamping range **1 x 16 - 28 mm**

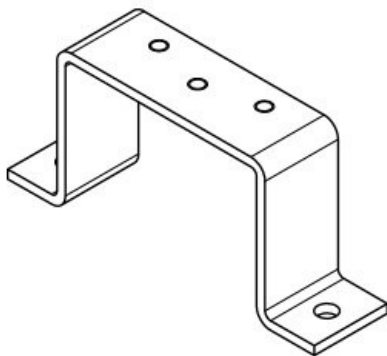
ECP 3 clamp pad



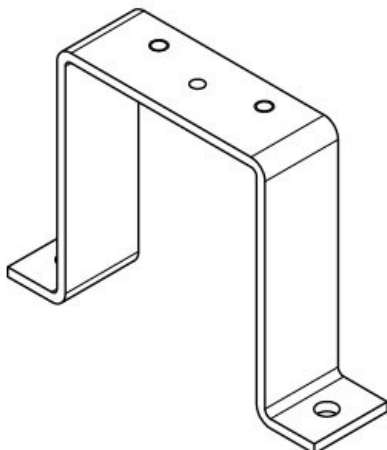
Part No. **32592**
EAN
Package quantity **10**
Suitable for **MSMC 30-46**
Clamping range **1 x 26 - 42 mm**

ECP 4 clamp pad

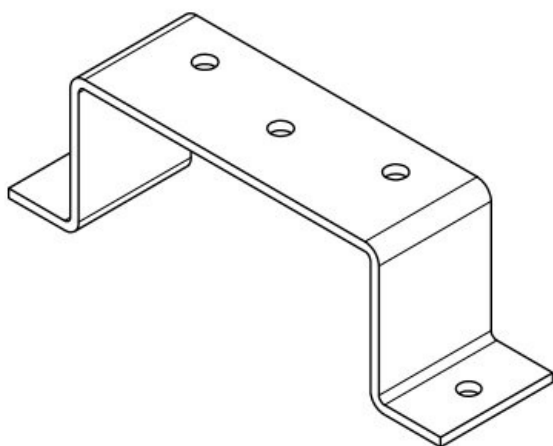
Part No. **32593**
 EAN
 Package quantity **10**
 Suitable for **MSMC 44-55**
 Clamping range **1 x 40 - 51 mm**

MBR 109-50 retaining bracket

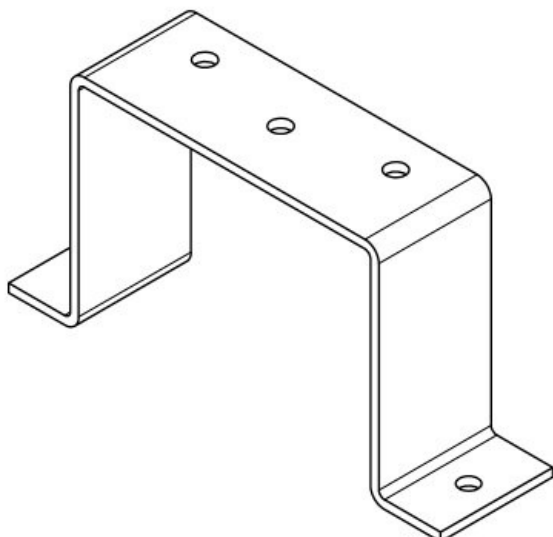
Part No. **32120** Height **50 mm**
 EAN **4251269338** No. of screw **2**
847 holes
 Package quantity **5** Diam. of screw **6,5 mm**
 Suitable for **MSMC 10-22** Thread **3 x M5**
/ MSMC 20-32
 Length **26 mm**
 Width B1 **109 mm**
 Width B2 **92 mm**

MBR 109-80 retaining bracket

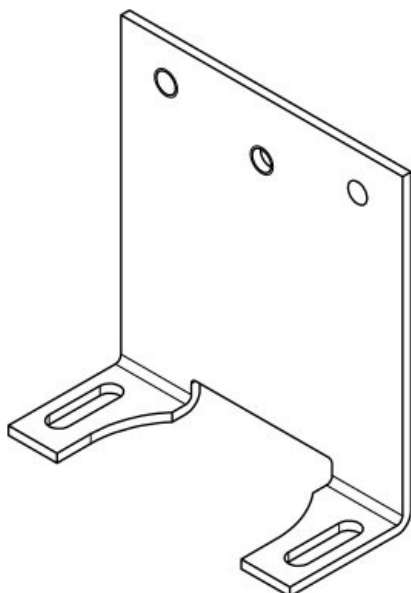
Part No. **32121** Height **80 mm**
 EAN **4251269338** No. of screw **2**
854 holes
 Package quantity **5** Diam. of screw **6,5**
 Suitable for **MSMC 10-22** Thread **3 x M5**
/ MSMC 20-32
 Length **26 mm**
 Width B1 **109 mm**
 Width B2 **92 mm**

MBR 154-50 retaining bracket

Part No.	32122	Height	50 mm
EAN	4251269338	No. of screw holes	2
Package quantity	5	Diam. of screw holes	6,5 mm
Suitable for	MSMC 30-46 / MSMC 44-55	Thread	3 × M8
Length	40 mm		
Width B1	154 mm		
Width B2	134 mm		

MBR 154-80 retaining bracket

Part No.	32123	Height	80 mm
EAN	4251269338	No. of screw holes	2
Package quantity	5	Diam. of screw holes	6,5 mm
Suitable for	MSMC 30-46 / MSMC 44-55	Thread	3 × M8
Length	40 mm		
Width B1	154 mm		
Width B2	134 mm		

MW 110-43 retaining bracket

Part No.	32124	Height	110 mm
EAN	4251269338	Internal diameter	65,5 mm
Package quantity	5	No. of screw holes	2
Suitable for	MSMC 30-46 / MSMC 44-55	Diam. of screw holes	7 mm
Length	43 mm	Thread	3 × M8
Width B1	100 mm		
Width B2	85 mm		

