

KGM | GMT | 00 00000

000 000 0000 / M16 - M85



00 000 00 0000 000 00 00

SUB-D, DVI 00 PROFIBUS 000000 000000 000000 0000, 000 000 00? 000000.

- SUB-D9 000 0 KGM-SUB-D9 (00(Cut-out)00 : 00 36 mm)
- PROFIBUS 0 DVI 000 0 KGM-PB (00(Cut-out)00 : 00 42 mm)
- SUB-D25 000 0 KGM-SUB-D25 (00(Cut-out)00 : 00 50 - 54 mm)



00 0 00

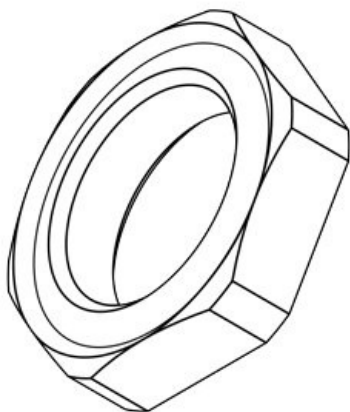
UL94-V0, 00000

-30 C° to 120 C°

000 00, 00000

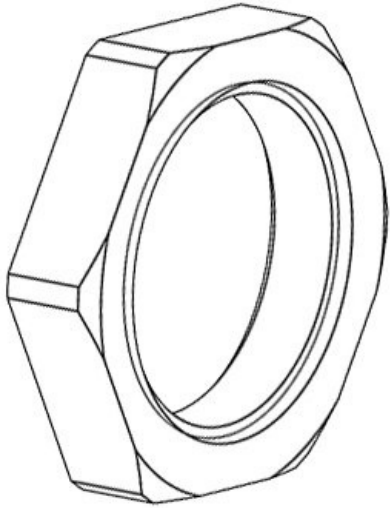
00 00 0 00

KGM 16 gy



EAN **52272**
4251269315
459
10
00(RAL 7035 0
0)
4,3 mm
00 000 **24,5 mm**
M16 x 1,5

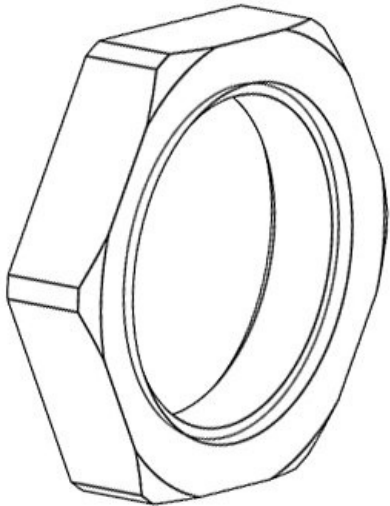
KGM 20 gy



EAN

52273
4251269315
466
10
□□(RAL 7035□ □
□)
7 mm
M20 × 1,5

KGM 20 bk

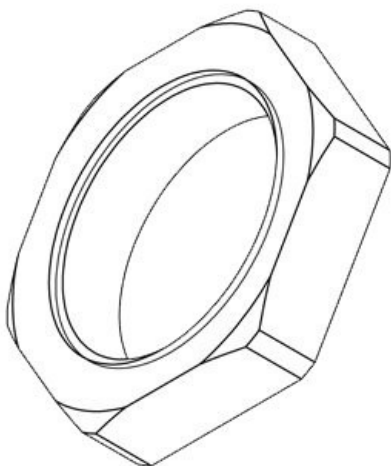


EAN

52283
4251269315
527
10

7 mm
M20 × 1,5

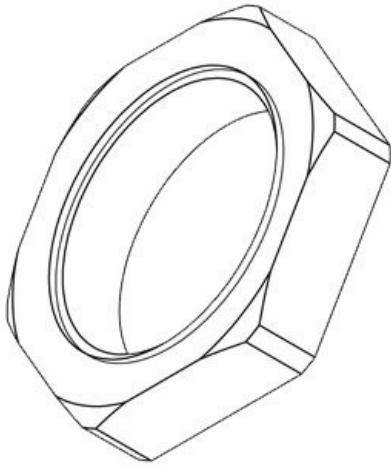
KGM 25 gy



EAN

52274
4251269315
473
10
□□(RAL 7035□ □
□)
7 mm
M25 × 1,5

KGM 25 bk

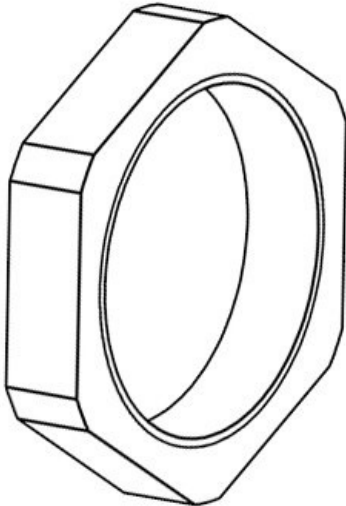


EAN

52284
4251269315
534
10

7 mm
M25 × 1,5

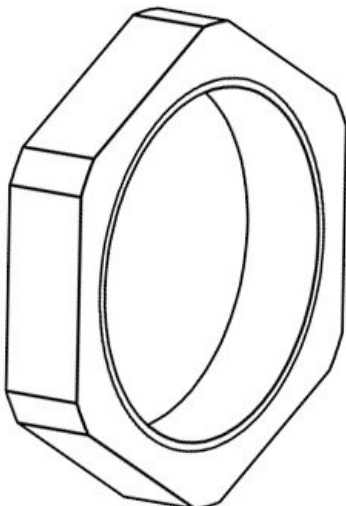
KGM 32 gy



EAN

52275
4251269315
480
10
□□(RAL 7035□ □
□)
7 mm
M32 × 1,5

KGM 32 bk

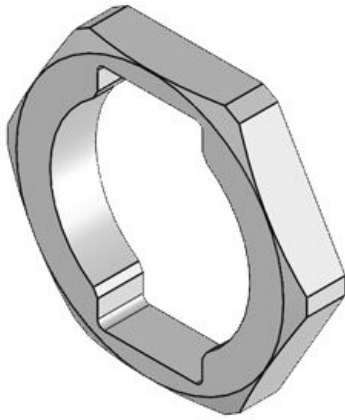


EAN

52285
4251269315
541
10

7 mm
M32 × 1,5

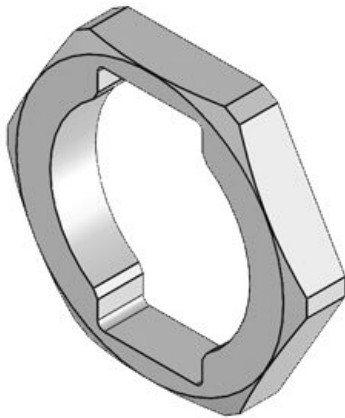
KGM-SUB-D9 gy



EAN

45105
4251269311
185
10
□□(RAL 7035□ □
□)
7 mm
M32 × 1,5

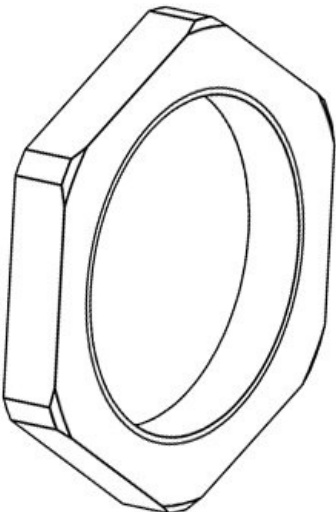
KGM-SUB-D9 bk



EAN

45106
4251269311
192
10
7 mm
M32 × 1,5

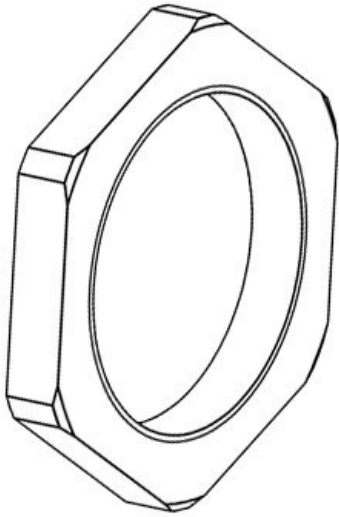
KGM 40 gy



EAN

52276
4251269315
497
10
□□(RAL 7035□ □
□)
7 mm
M40 × 1,5

KGM 40 bk

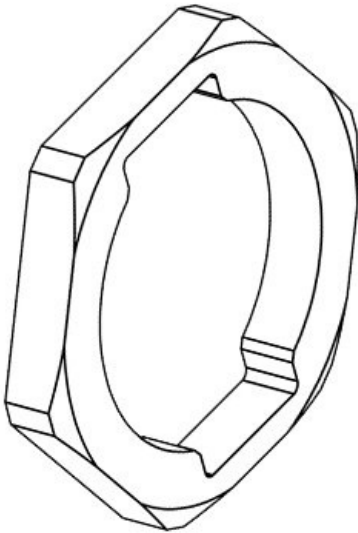


EAN

52286
4251269315
558
10

7 mm
M40 × 1,5

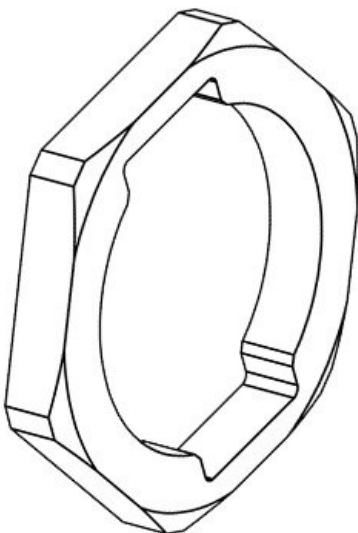
KGM-PB gy



EAN

45107
4251269311
208
10
□□(RAL 7035□ □
□)
8 mm
M40 × 1,5

KGM-PB bk

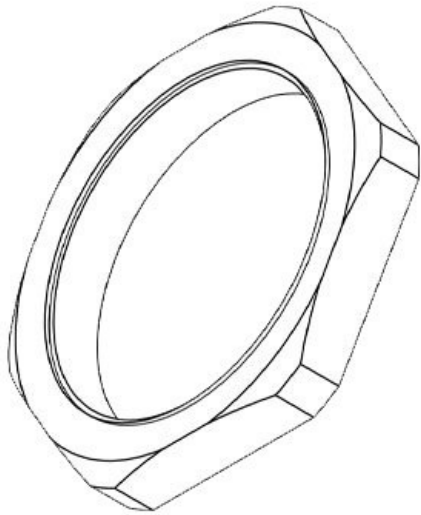


EAN

45109
4251269311
222
10

8 mm
M40 × 1,5

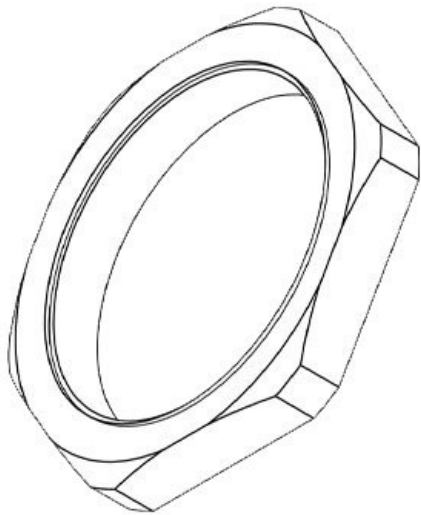
KGM 50 gy



EAN

52277
4251269315
503
10
□□(RAL 7035□ □
□)
8,5 mm
M50 × 1,5

KGM 50 bk



EAN

52287
4251269315
565
10
8,5 mm
M50 × 1,5

KGM-SUB-D25 gy



EAN

45108
4251269311
215
10
□□(RAL 7035□ □
□)
8 mm
M50 × 1,5

KGM-SUB-D25 bk

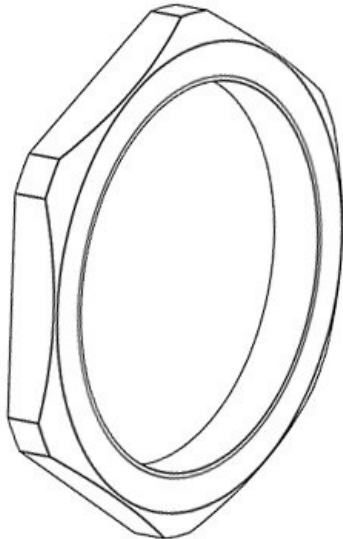


EAN

45110
4251269311
239
10

8 mm
M50 × 1,5

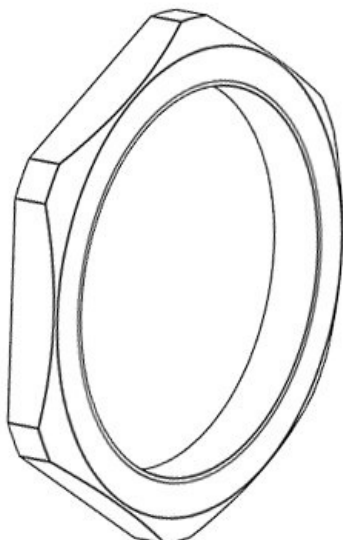
KGM 63 gy



EAN

52278
4251269315
510
5
□□(RAL 7035□ □
□)
8,5 mm
M63 × 1,5

KGM 63 bk



EAN

52288
4251269315
572
5
8,5 mm
M63 × 1,5

KGM 75 bk



EAN

52289
4251269316
999
10

8,5 mm
M75 × 1,5

KGM 85 bk



EAN

52290
4251269317
002
10

10 mm

GMT 16



EAN

31105
4251269300
011
10
8 mm
M16 × 1,5

GMT 20

EAN

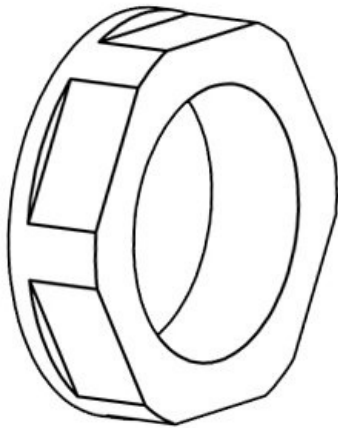
31110
4251269300
028
10
9 mm
M20 × 1,5



GMT 25

EAN

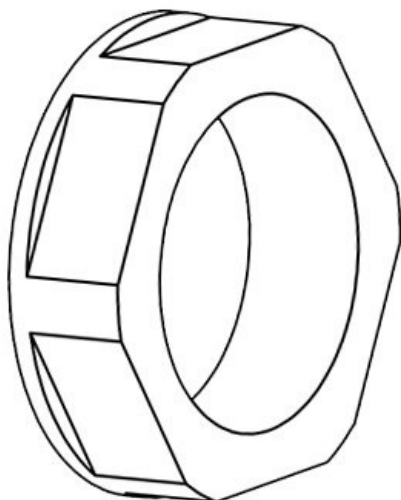
31100
4251269300
004
10
9 mm
M25 × 1,5



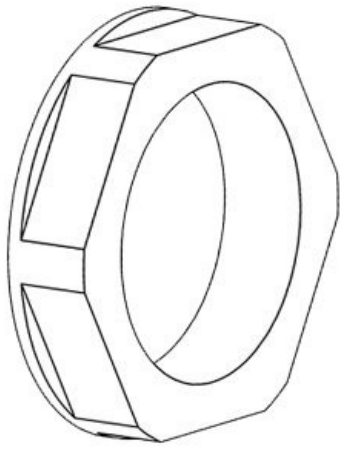
GMT 32

EAN

31120
4251269300
035
10
12 mm
M32 × 1,5



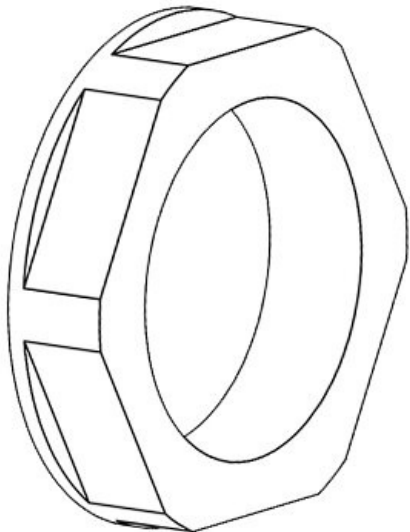
GMT 40



EAN

31130
4251269300
042
10
15 mm
M40 × 1,5

GMT 50



EAN

31140
4251269300
059
10
15 mm
M50 × 1,5

icotek[®]
smart cable management