



ALLIOLiGHT lighting systems

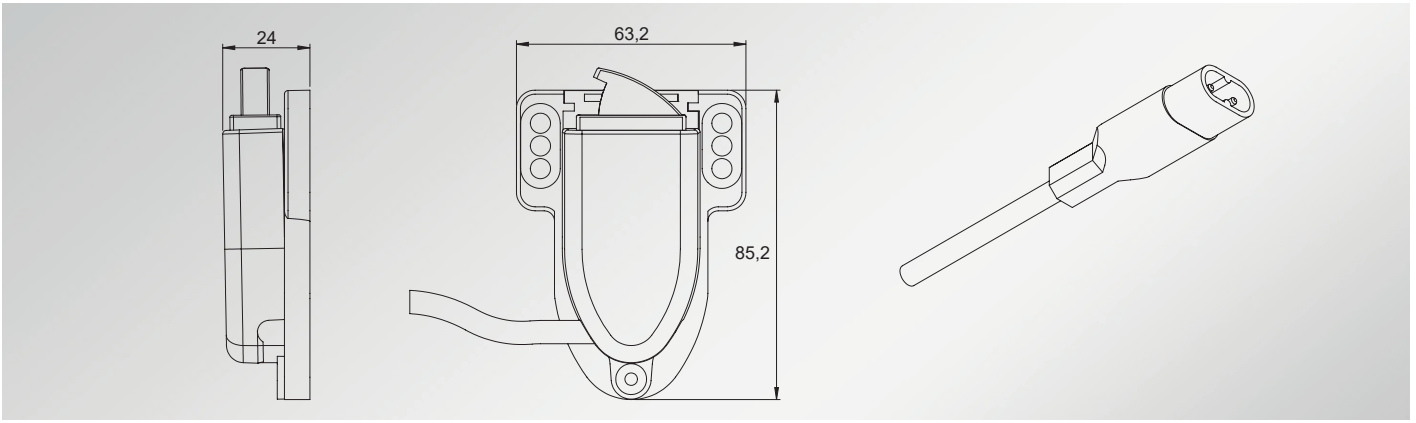
Door operated switch

suitable for ALLIO and ALU-LINE series

- Easy adjustment
- Flat, space-saving design
- Reliable, direct switching
- Integrated cable routing
- Assembly on surfaces and profiles of various manufacturers
- Snap-on assembly aid on profiles
- Also suitable for exterior doors
- With 0.6 m connecting cable and straight connector
- Adapters for enclosures from Rittal, Hofmann, Eldon and Triton as well as for assembly on surfaces are included in the scope of delivery

Version with 0.6 m connecting cable and straight connector

Order No. 81232



Assembly options

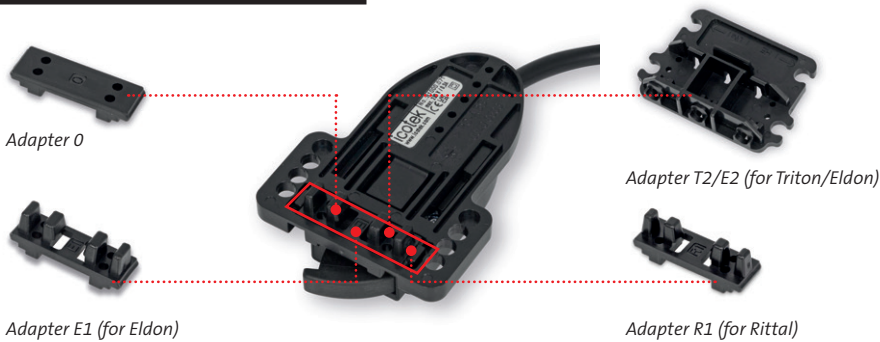


Snap-on assembly aid and screw-on assembly on profiles



Screw assembly on surfaces

Adapters for assembly



Adapter 0

Adapter T2/E2 (for Triton/Eldon)

Adapter E1 (for Eldon)

Adapter R1 (for Rittal)

Specifications

81232	
Technical data	
Rated voltage	250 V AC, 25 W
Contact for door operated switch	via 2-pole mini-connector, 2.5 A
Connecting cable	2 x 0.75 mm ² ; 0.6 m; 300 V AC colour black; PVC; up to 105 °C
Protection class/category	
Protection class	IP20
Protection category	II (Protective insulation)

81232	
Other specifications	
Labelling	UL/CSA, CE, UKCA
Dimensions L x W x H	95 x 63 x 24 mm
Weight	150 g
Operating temperature	-20 °C to +80 °C