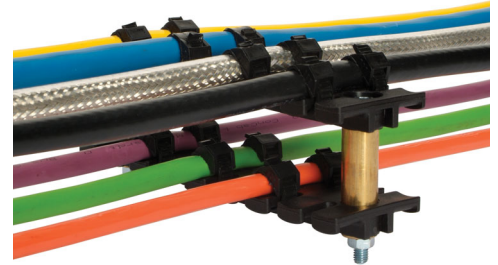
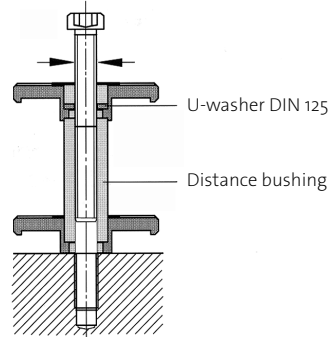


DH Spacers



Type	Order No.	Fits with	Length	Diameter		PU
				inner	outer	
DH 30	32251	ZL 03 04 05	30 mm	5.2 mm	8.5 mm	10
DH 32	32252	ZL	32 mm	6.2 mm	12 mm	10

Product description

Due to DH spacers strain relief plates can be mounted in multi-layers to achieve an increase of the cable density.

Advantages & benefits

- Increase of cable density

Specifications

Material **Aluminium**

Compatible with

ZL Strain relief plates 110
ZL 03|04|05 Strain relief plates 112