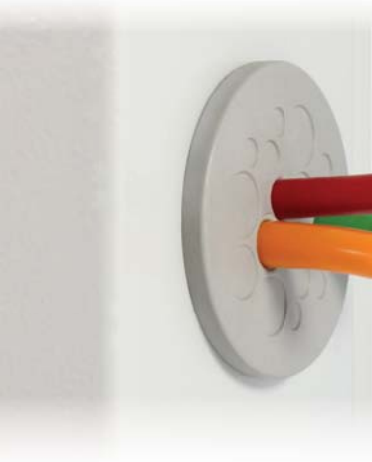


KEL-DP round

Cable entry plates



IP65



Also available in black.



Membrane on front



Special fixing ribs ensure a centred fit.

2

Product description

KEL-DP entry plates are designed for routing cables without connectors.

The KEL-DP products are a cost saving alternative to traditional cable glands.

Simply make a small hole in the thin membrane and push the cables through. The KEL-DP round provides protection IP65 / NEMA Type 12.

ST-B Plugs can be used for sealing pierced membranes if cables have been removed.

A special rib ensures a centred fit in the cut-outs.

Advantages & benefits

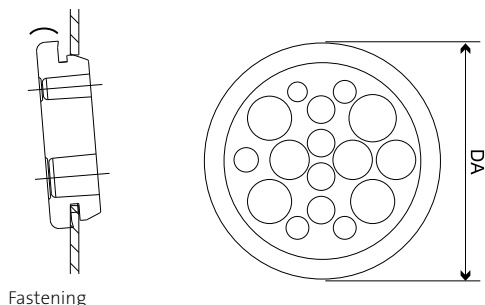
- Fast and easy assembly, no tools required
- High cable density
- Very good strain relief on the cable bundle
- Cost-effective
- For wall thickness 1.5 - 4 mm
- Hygienic design - free of dirt-collecting recesses

Type	Order No. Type A	Order No. Type B	Number of cables	Cut-out	External diameter DA	PU
KEL-DP 25 4	□ 43533 ■ 50533	-	4× max. 8 mm	ø 25 mm	32 mm	10
KEL-DP 25 6	□ 43531 ■ 50531	-	4× max. 5.2 mm 2× max. 9.4 mm	ø 25 mm	32 mm	10
KEL-DP 32 10	□ 43532 ■ 50532	□ 43560 ■ 50560	6× max. 5.2 mm 2× max. 6.4 mm 2× max. 9.4 mm	ø 32 mm	38 mm	10
KEL-DP 40 9	□ 43536	□ 43561	8× max. 9.5 mm 1× max. 11.3 mm	ø 40 mm	50 mm	10
KEL-DP 40 16	□ 43537	□ 43563	2× max. 5.3 mm 10× max. 6.3 mm 2× max. 9.5 mm 2× max. 11.3 mm	ø 40 mm	50 mm	10
KEL-DP 40 17	□ 43538	□ 43565	1× max. 4 mm 16× max. 7.2 mm	ø 40 mm	50 mm	10

* Only valid for grey product types



KEL-DP round Cable entry plates



Fastening



Type	Order No. Type A	Order No. Type B	Number of cables	Cut-out	External diameter DA	PU
------	---------------------	---------------------	---------------------	---------	-------------------------	----

KEL-DP 50 9	□ 43554 ■ 50554	□ 43568 ■ 50568	5× max. 7 mm 4× max. 18 mm	∅ 50 mm	60 mm	10
KEL-DP 50 11	□ 43555 ■ 50555	□ 43569 ■ 50569	7× max. 7.2 mm 3× max. 11.2 mm 1× max. 22.5 mm	∅ 50 mm	60 mm	10
KEL-DP 50 12	□ 43551 ■ 50551	□ 43562 ■ 50562	10× max. 9.2 mm 2× max. 11.2 mm	∅ 50 mm	60 mm	10
KEL-DP 50 16	□ 43550 ■ 50550	□ 43564 ■ 50564	4× max. 5.3 mm 5× max. 6.3 mm 3× max. 9.5 mm 4× max. 11.3 mm	∅ 50 mm	60 mm	10
KEL-DP 50 18	□ 43553 ■ 50553	□ 43567 ■ 50567	2× max. 4 mm 2× max. 6 mm 4× max. 7.2 mm 5× max. 9.4 mm 5× max. 12 mm	∅ 50 mm	60 mm	10
KEL-DP 50 20	□ 43552 ■ 50552	□ 43566 ■ 50566	16× max. 6.3 mm 4× max. 9.3 mm	∅ 50 mm	60 mm	10
KEL-DP 50 35	□ 43556 ■ 50556	□ 43570 ■ 50570	35× max. 5.2 mm	∅ 50 mm	60 mm	10

* Only valid for grey product types

Specifications

Material	Elastomer
Colour	□ grey (similar RAL 7035) ■ black
Flame class	UL94-Vo, self-extinguishing
IP rating	IP65 (certified acc. to EN 60529)
NEMA type rating	NEMA type 12 (acc. to UL 50E)
Temperature	- 40°C to + 90°C (static)
Properties	Halogen-free, silicone-free
Cut-out dimensions	Metric sizes
Plate depth	5 mm

Type A:	For wall thickness 1.5 - 2.5 mm
Type B:	For wall thickness 2.8 - 4 mm

Accessories

ST-B Plugs	78
FP Flange plates	160 - 165