

# KEL-DPU 24

Heavy-duty cable entry plates with high strain relief



**IP66** **IP68**



Also available in black.



Also available with threaded bushings.



Tool-free assembly possible due to snap-in function

## Product description

2.1

KEL-DPU entry plates are designed to route and seal cables without connectors (from 3.2 mm to 20.5 mm in diameter) in limited space with IP66 / IP68\*\* / up to UL type 4X ratings.

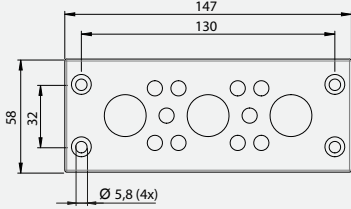
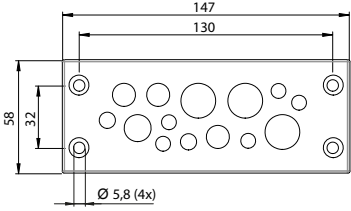
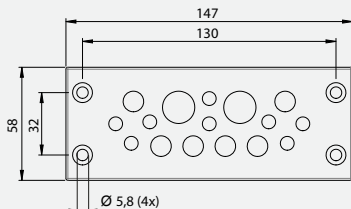
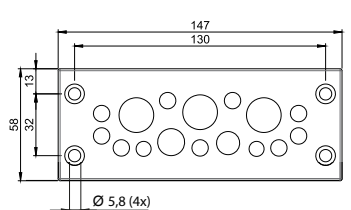
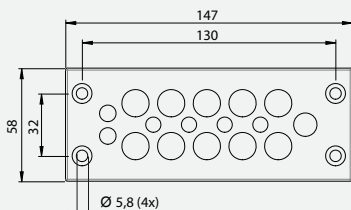
The KEL-DPU is particularly characterised by its solid robust frame and the increased strain relief of the routed cables.

The KEL-DPU 24 matches exactly the cut-out dimensions of 24-pin standard industrial connectors. For optional screw assembly just pierce the membranes on the integrated screw holes with the screw itself.

The assembly of the KEL-DPU with cables or pneumatic hoses can be done quick and easy. Simply make a small hole in the thin membrane and push the cables through.

ST-B Plugs can be used for sealing pierced membranes if cables have been removed.



Description	Type	Order No.	Number of cables	PU
		43940	10x 3.2 - 6.3 mm 3x 16 - 20.5 mm	10
		50940		
		43944	5x 3.2 - 6.3 mm 2x 4 - 7.5 mm 3x 5.5 - 10.5 mm 1x 8 - 12.5 mm 3x 12 - 16.2 mm	10
		50944		
		43936	8x 3.2 - 5.5 mm 6x 5 - 8.5 mm 2x 9.5 - 14.5 mm	10
		50936		
		43932	2x 3.2 - 6.3 mm 9x 4 - 7.5 mm 1x 5.5 - 10.5 mm 1x 8 - 12.5 mm 3x 12 - 16.2 mm	10
		50932		
		43934	4x 3.2 - 6.3 mm 2x 4 - 7.5 mm 1x 5.5 - 10.5 mm 10x 8 - 12.5 mm	10
		50934		

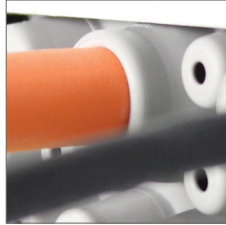
\* Only valid for grey product types | \*\* IP68 only when screw mounted

# KEL-DPU 24

## Heavy-duty cable entry plates with high strain relief



Membrane on front



Conical shape on back provides additional sealing and strain relief



Resistant against industrial detergents (ECOLAB certified)



Description	Type	Order No.	Number of cables	PU
	KEL-DPU 24 20	<span style="color: grey;">■</span> 43938 <span style="color: black;">■</span> 50938	12× 3.2 - 5.5 mm 8× 5 - 10.5 mm	10
	KEL-DPU 24 21	<span style="color: grey;">■</span> 43930 <span style="color: black;">■</span> 50930	1× 3.2 - 6.3 mm 14× 4 - 7.5 mm 4× 5.5 - 10.5 mm 2× 8 - 12.5 mm	10
	KEL-DPU 24 32	<span style="color: grey;">■</span> 43942 <span style="color: black;">■</span> 50942	32× 3.2 - 6.3 mm	10

\* Only valid for grey product types | \*\* IP68 only when screw mounted

### Advantages & benefits

- Snap or screw mounting possible
- High strength & stability
- High strain relief
- Fast and easy assembly
- High cable density
- Dual cable sealing with IP66/IP68\*\*/up to UL type 4X
- Hygienic design - free of dirt-collecting recesses

2.1

### Specifications

Material	Frame: Polypropylene (PP) Sealing plate: Elastomer
Colour	<span style="color: grey;">■</span> grey (similar RAL 7035) <span style="color: black;">■</span> black
Flame class	UL94-Vo, self-extinguishing
IP rating	IP66/IP67/IP68 (certified acc. to EN 60529)
UL type rating	UL type 12 (acc. to UL 50E) UL type 4X (acc. to UL 50E)
Temperature	- 40°C to + 100°C (static)
Properties	Halogen-free, silicone-free
Cut-out dimensions	36 × 112 mm / page 220 - 221
Plate depth	14 mm
For wall thickness (snap-in mounting)	1.5 - 2 mm

### Accessories

ST-B Plugs	93
KEL-EMC-PF Cable collectors	149
FP Flanged plates	194 - 203