

KEL-FG-B

Flange enclosures for cable entry



Also available with threaded bushings.



Also available with stainless steel screws (V2A).



Split KT grommets

Configure
online
now

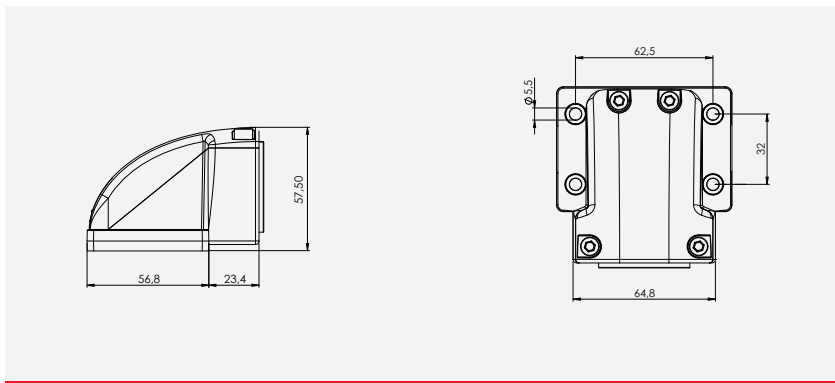


IP54

1.11

Description	Type	Order No.	Grommets small large	PU
	KEL-FG-B4	42330	4 -	1
	KEL-FG-B4 with V2A screws	42330.200	4 -	1

	KEL-FG-B1	42332	- 1	1
	KEL-FG-B1 with V2A screws	42332.200	- 1	1



Product description

The cable entry frames KEL-FG-B are suited for installation, sealing and strain relief of cables with connectors and conduits at an angle of 90° to the cabinet, enclosure or machine wall. All frame systems come with a rubber gasket.

Advantages & benefits

- Installation at an angle of 90° to the wall
- Mechanical protection of cable directly at the place of entry
- Protection against water spray and drips
- Maintain manufacturer's warranty on pre-terminated cables
- Space saving shape
- Strain relief according to EN 62444
- High stability, vibration resistant

Specifications

Material	Polyamide (PA)
Flame class	UL94-V0, self-extinguishing
IP rating	IP54, with gasket and correct selection of the cable grommets
Temperature	- 40°C to + 140°C (static)
Properties	Halogen-free, silicone-free
Cut-out dimensions	46 × 36 mm, Page 220-221

Accessories

KT Cable grommets	48 - 52
AT Adapter grommets	54 - 57
KEL-EMC Cable collectors	148 - 150
ST Plugs	53