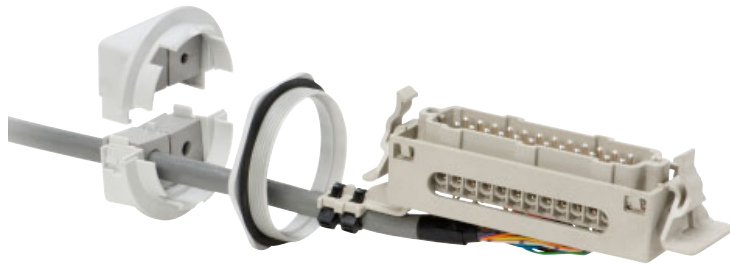


KVT-SNAP

Split pluggable cable glands

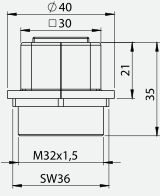
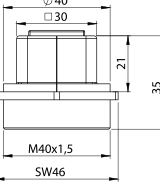
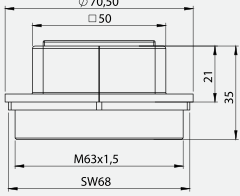
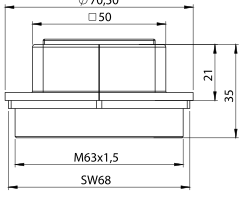
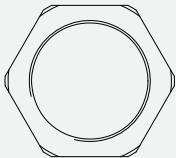


Configure online now



IP54

1.12

Description	Type	Order No.	Grommets small large	Thread Thread length	PU											
	KVT-SNAP 32	45130	1 -	M32 × 1.5 Length: 11 mm	10											
	KVT-SNAP 40	45134	1 -	M40 × 1.5 Length: 11 mm	10											
	KVT-SNAP 63 4 + KGM 63	45152	4 -	M63 × 1.5 Length: 11 mm	5											
	KVT-SNAP 63 1 + KGM 63	45154	- 1	M63 × 1.5 Length: 11 mm	5											
	<table border="0"> <tr> <td>KGM 32</td> <td> <input type="checkbox"/> 52275 <input checked="" type="checkbox"/> 52285 </td> <td>PA</td> <td>M32 × 1.5</td> <td>10</td> </tr> <tr> <td>KGM 40</td> <td> <input type="checkbox"/> 52276 <input checked="" type="checkbox"/> 52286 </td> <td>PA</td> <td>M40 × 1.5</td> <td>10</td> </tr> <tr> <td>KGM 63</td> <td> <input type="checkbox"/> 52278 <input checked="" type="checkbox"/> 52288 </td> <td>PA</td> <td>M63 × 1.5</td> <td>5</td> </tr> </table>	KGM 32	<input type="checkbox"/> 52275 <input checked="" type="checkbox"/> 52285	PA	M32 × 1.5	10	KGM 40	<input type="checkbox"/> 52276 <input checked="" type="checkbox"/> 52286	PA	M40 × 1.5	10	KGM 63	<input type="checkbox"/> 52278 <input checked="" type="checkbox"/> 52288	PA	M63 × 1.5	5
KGM 32	<input type="checkbox"/> 52275 <input checked="" type="checkbox"/> 52285	PA	M32 × 1.5	10												
KGM 40	<input type="checkbox"/> 52276 <input checked="" type="checkbox"/> 52286	PA	M40 × 1.5	10												
KGM 63	<input type="checkbox"/> 52278 <input checked="" type="checkbox"/> 52288	PA	M63 × 1.5	5												

Product description

KVT is a circular split frame for quick and easy installation of cables with connectors or complete cable harnesses.

By using the model KVT-SNAP, cables can be routed through thick walls (> 5 mm) e.g. into cast terminal boxes without the use of tools. A sealing ring is included in the shipment.

Assembly

- The snap ring is screwed into metric thread or tapped into the cut-out (it can also be fastened with a locknut, which is included in the shipment of KVT-SNAP 63)
- Once the snap ring is affixed to the housing the equipped KVT is simply pushed into it. Fast and easy installation!

Specifications

Material	Polycarbonate (PC)
Colour	<input type="checkbox"/> grey (similar RAL 7035)
Flame class	UL94-Vo, self-extinguishing
IP rating	IP54, with gasket and correct selection of the cable grommets (certified acc. to EN 60529)
Temperature	- 30°C to + 100°C (static)
Properties	Halogen-free, silicone-free
Cut-out dimension	Metric cut-outs

Accessories

Cable grommets	48 - 52
KVT-EMC Brackets	151
KGM Locknuts	208 - 209
ST Plugs	53

* Only valid for grey product types